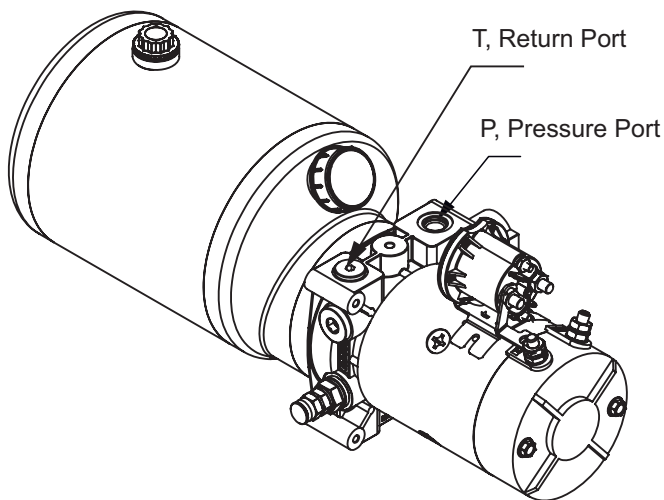


DP13C06

Group 16D/22D/25D/28D/30D/40D

- Driving single acting hydraulic cylinder extending or retracting.
- Choose the appropriate power and pump size according to the load of your application. Please refer to Page A1-1 or consult us.
- Four options for controlling the Return Flow (down speed) by flow control valve (2):
 1. Non-Adjustable.
 2. Non Adjustable, with pressure compensate.
 3. Adjustable, with pressure compensate.
 4. No return flow control
- Three options for 2-way valve(1), more details refer to page DD.
 1. Manual Valve.
 2. Solenoid Valve.
 3. Solenoid Valve with Manual Override
- Duty cycle is generally S2-1 minute, S3 - 15%. It may be varies with loads , please consult us.



- Port P and T, standard options:
 1. G3/8 (BSPP 3/8")
 2. SAE#6(9/16-18UNF),
 3. M14
 To custom-built other port size, please consult us.

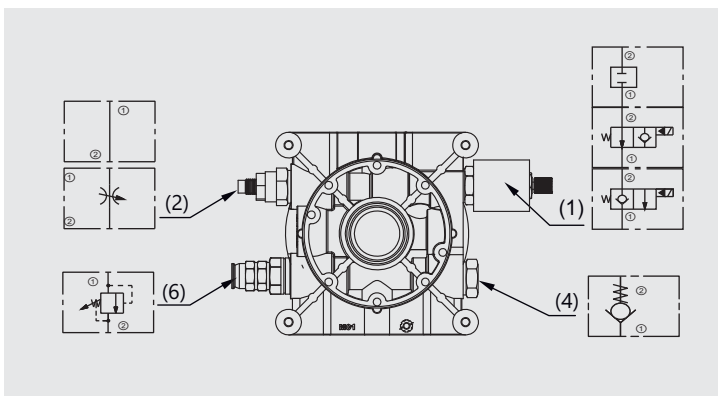
- Optional Tanks:

Series RP, LS, LT, MS, MT, details refer to page BB.

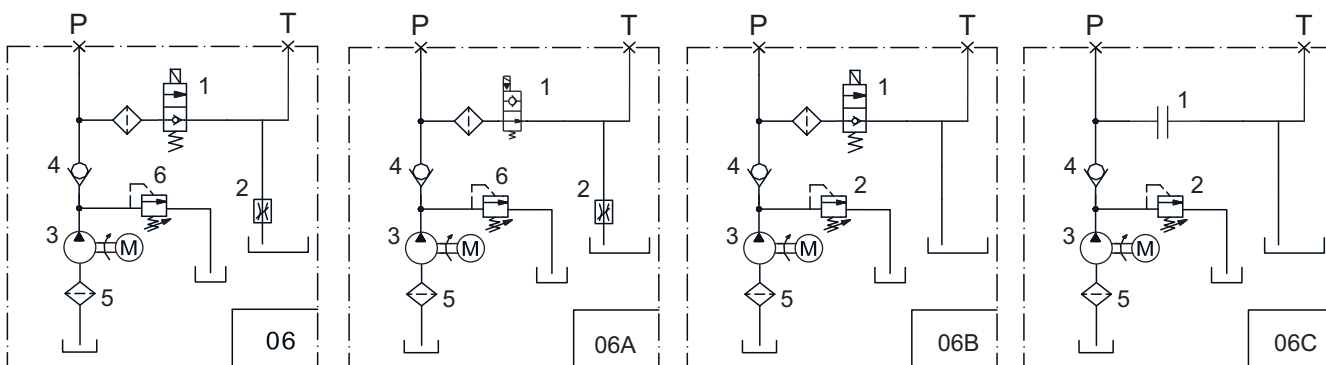
- Controller Options:
 - 1) KCB21, the basic remote control handset.
 - 2) WRB21, economy wireless remote

- Popular Applications:

Material Handling forklift, stacker, dumper, dump trailer, Mobile lighthouse...etc.

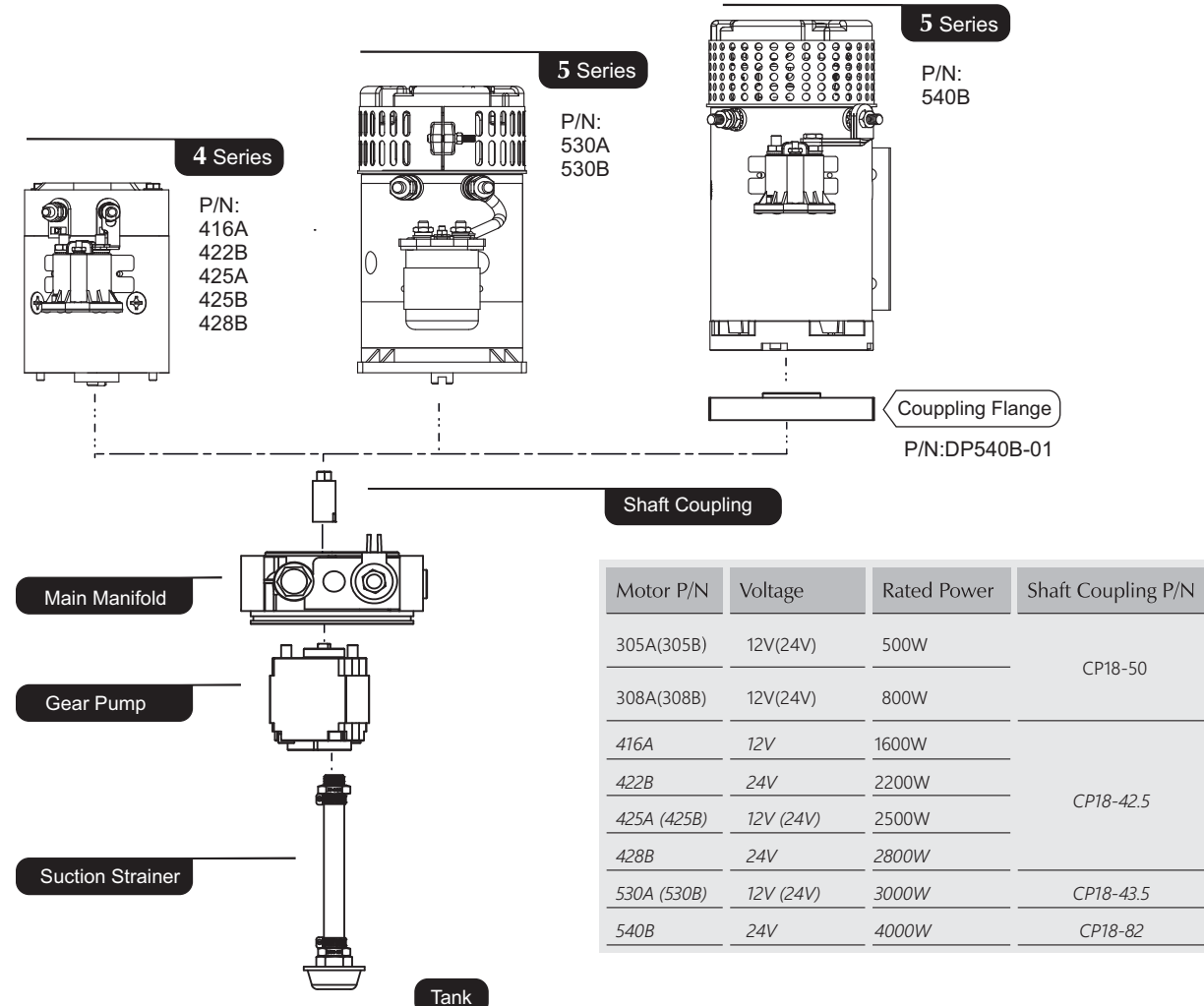


Typical Circuits:

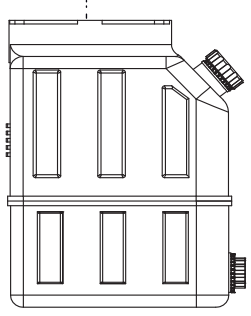


DP13C06

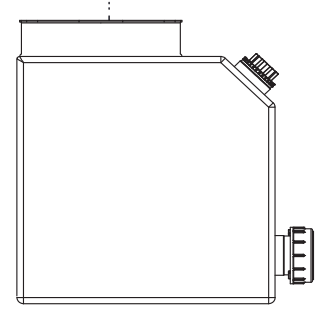
DC Motor :	4" Series, 5" Series
Main Manifold	M01-03 (Die Casting Aluminum Manifold)
Gear Pump	G Series (Details refer to page G1-1)
Tank	Type RP, LS, LT, MS, MT, MR (Details refer to page N1)



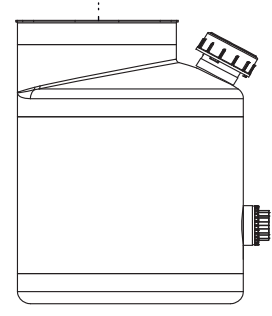
Motor P/N	Voltage	Rated Power	Shaft Coupling P/N
305A(305B)	12V(24V)	500W	CP18-50
308A(308B)	12V(24V)	800W	
416A	12V	1600W	
422B	24V	2200W	CP18-42.5
425A (425B)	12V (24V)	2500W	
428B	24V	2800W	
530A (530B)	12V (24V)	3000W	CP18-43.5
540B	24V	4000W	CP18-82



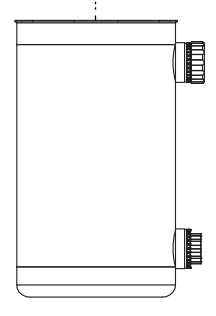
Type RP
PolyUrethane, Semi Clear



Type MT
Steel, Black Powder Coating



Type LS
Steel, Black Powder Coating



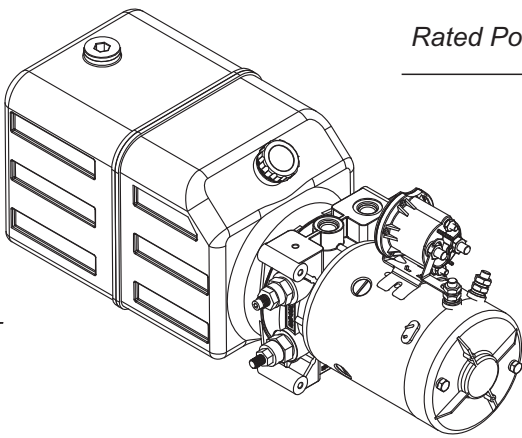
Type MS
Steel, Black Powder Coating

DP13C06-4 with 4" DC Motor

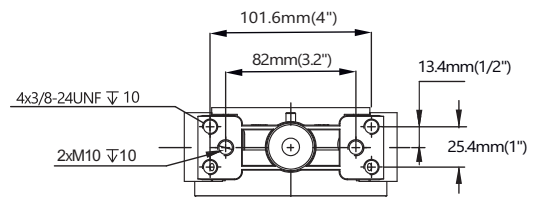
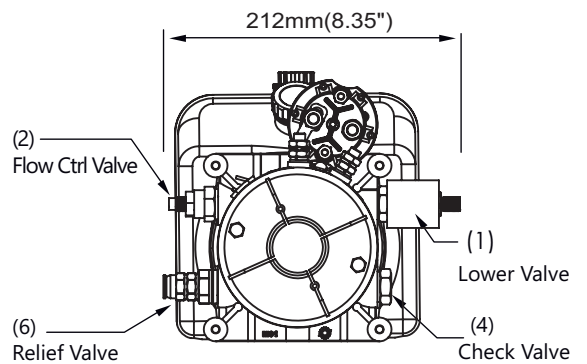
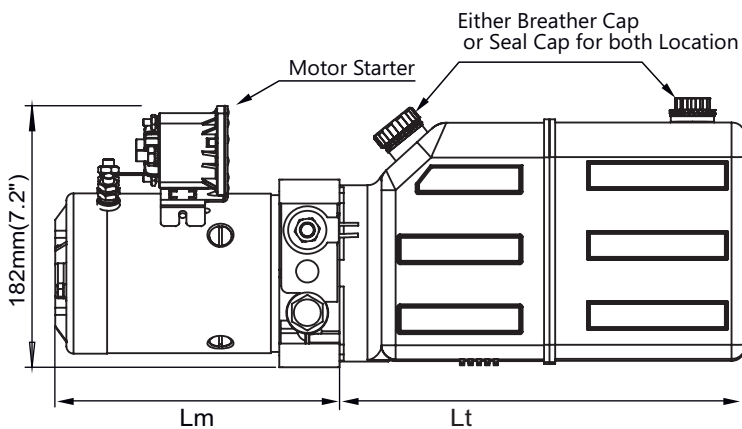
Outline Dimensions

Group 16D/22D/25D/28D

	DP13M06-416	DP13M06-422	DP13M06-425	DP13M06-428
Dim "Lm"	8" 203mm	8" 203mm	8.78" 223mm	9.85" 250mm
Rated Power	1.6kW (12V)	2.2kW (24V)	2.5kW (12&24V)	2.8kW (24V)



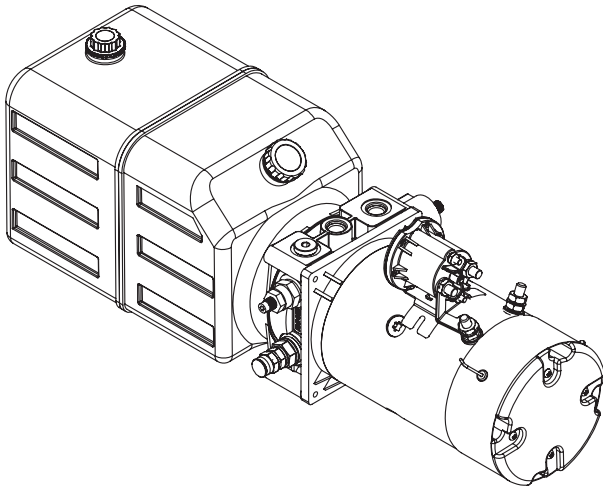
RP tank showed in following drawings. The dimension "Lt" of RP tank or other optional tanks, please refer to page N1-1.



Bottom Mounting Hole

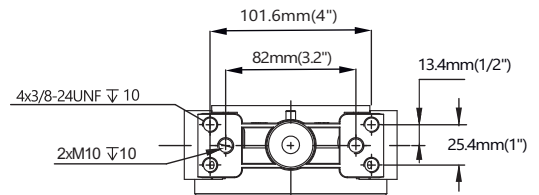
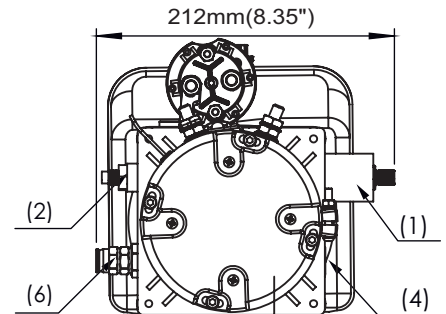
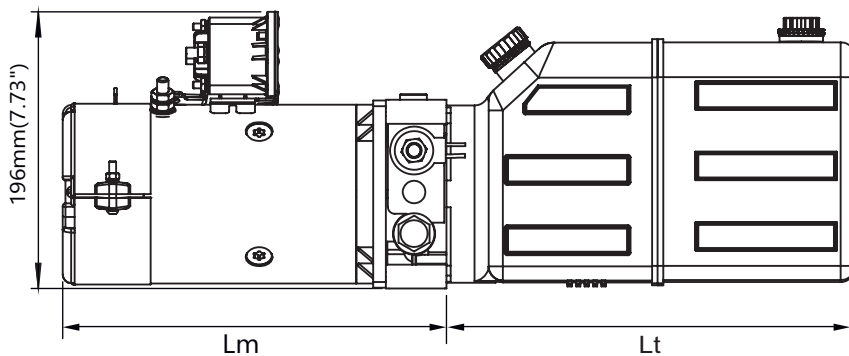
DP13C06-530 with 5" DC Motor

Outline Dimensions



	DP13M06-530A	DP13M06-530B
Dim "Lm"	11.04" (280mm)	11.04 (280mm)
Rated Power	3.0kW, 12V	3.0kW, 24V

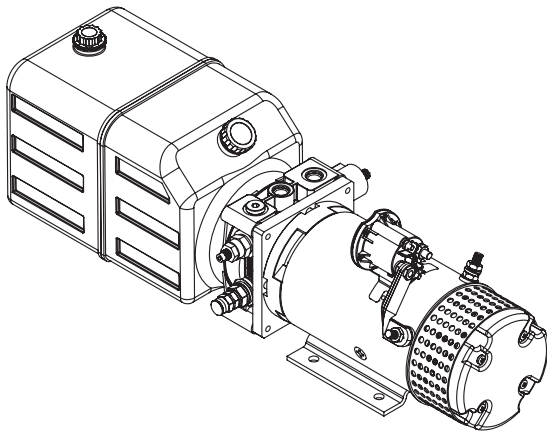
RP tank showed in following drawings. The dimension "Lt" of RP tank or other optional tanks, please refer to Page N1-1.



Bottom Mounting Hole

DP13C06-540 with 5" DC Motor

Outline Dimensions



DP13M06-540B

Dim "Lm"	13.39" (340mm)
Rated Power	4.0kW, 24V

RP tank showed in following drawings. The dimension "Lt" of RP tank or other optional tanks, please refer to Page N1-1.

