

TS Series

Light Duty

Mini Size

Miniature Size with Aluminum Housing

The oil-immersed ac motor was built inside a hard anodized aluminum housing with pump and pressure switch.

IP68 Protection

Benefit from its structure, the TS unit is capable of IP68 protection grade. It will be running well in any harsh working condition.

All-Weather Capacity

TS unit is capable of working in extremely cold area because of its self-heating capability



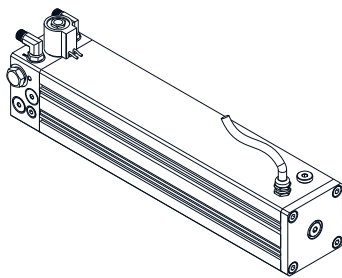
TS series

Light Duty

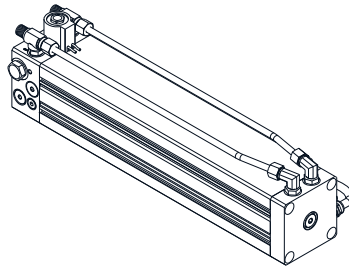
Code	Voltage	Amps	Flow Rate	*Rising Speed	Max Pressure	*Max Load	** Duty Cycle
TS S*	220-240V,50Hz, Single Phase	2.7- 3.1A	4.8LPM	150±10mm	5MPa	100kg	20 cycles/hour
TS T*	380-415V,50Hz, Three Phase	1.7-1.9A	5.0LPM	165±10mm	6MPa	130kg	30 cycles/hour

* The max rising speed and max load is calculated based on a 25mm bore cylinder (with 18mm rod diameter). Please do your calculation based on max pressure and flow rate if your cylinder is different size.

** Duty Cycle is tested at 25°C, with load 75kg, is for your reference only. It may be slight different in your actual working condition.



Standard Version



Pressure Switch Built-in

Function:

Either Double Acting (power up, and power down), or Single Acting(power up, gravity down)

Hydraulic Fluid:

HV22 or HV32 (ISO VG22 or VG32)
Tank Capacity 1.5- 3.5L

Overheat Protection

Yes, at 75°C

Mounting:

Recommend to do VERTICAL mounting for best performance.

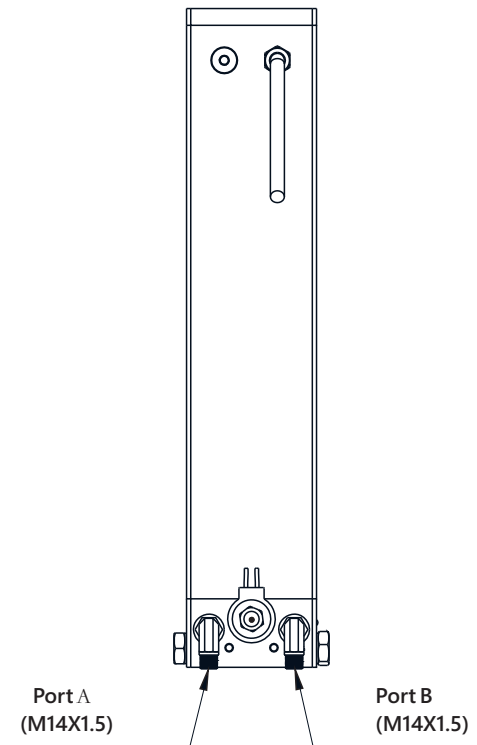
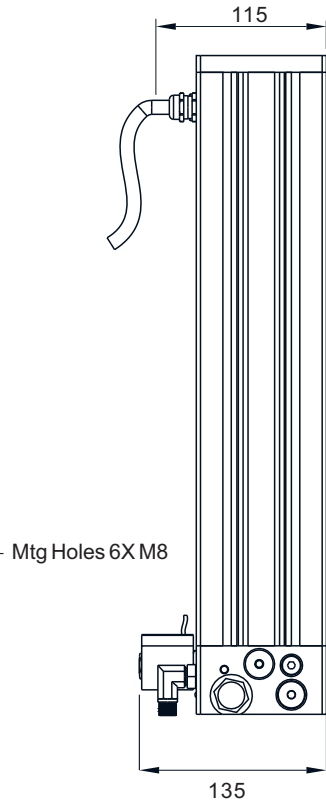
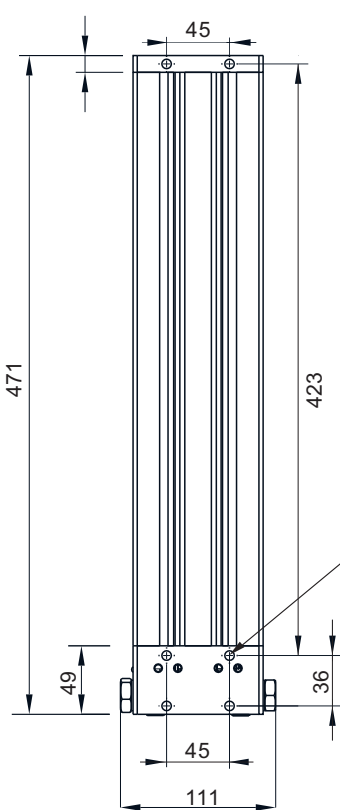
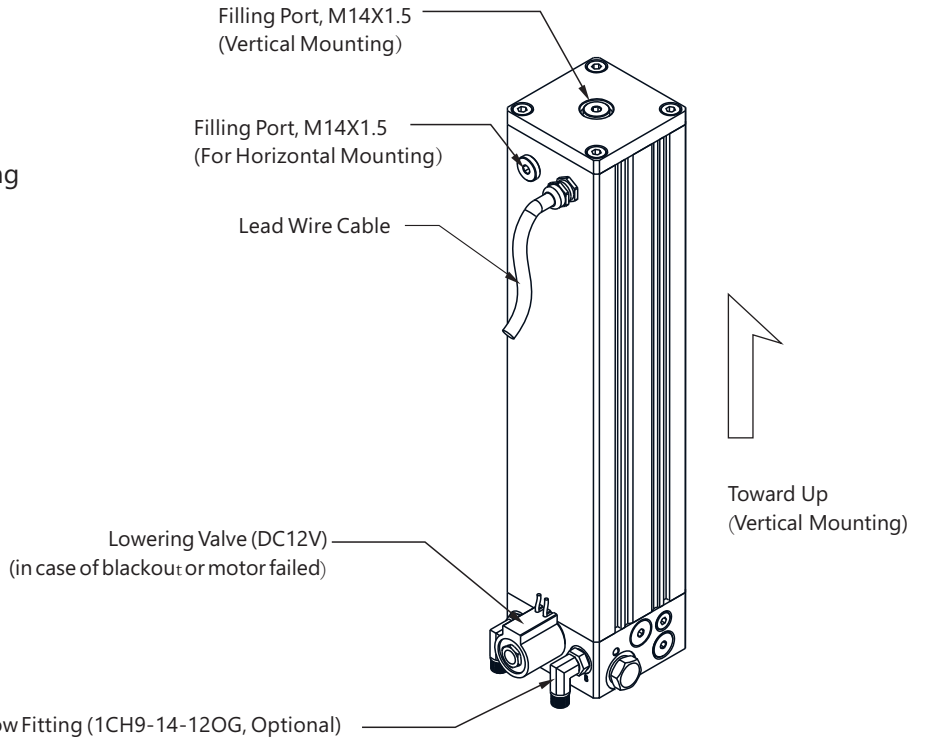
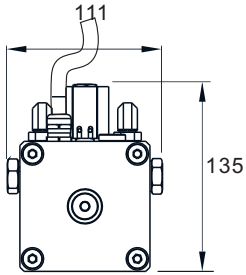
TS	30	T	2	P	E	N	-01
(1)	(2)	(3)	(4)	(5)	(6)	(7)	(8)

1	TS	Mini Hydraulic Power Unit
2	Rated Power	Rated Power: 30- 300W, 65 -650W, 70-700
3	Voltage	S - 220/240V Single Phase, 50/60Hz F - 115V Single Phase, 50/60Hz T - 380/415V Three Phase, 50/60Hz G - 230V Three Phase, 50/60Hz
4	Pump Disp.	1 - 1.5cc, 2 - 2.0cc
5	Pressure Switch	N - None, P- with Built-in pressure switch
6	Emergency Override	N - None, E - with 2-Way Solenoid Valve (DC12V), M - with Manual Override Valve
7	Accumulator Module	N - None, Y - with Accumulator Module
8	Design Code	Assigned by Mocen

TS Series

Standard Version

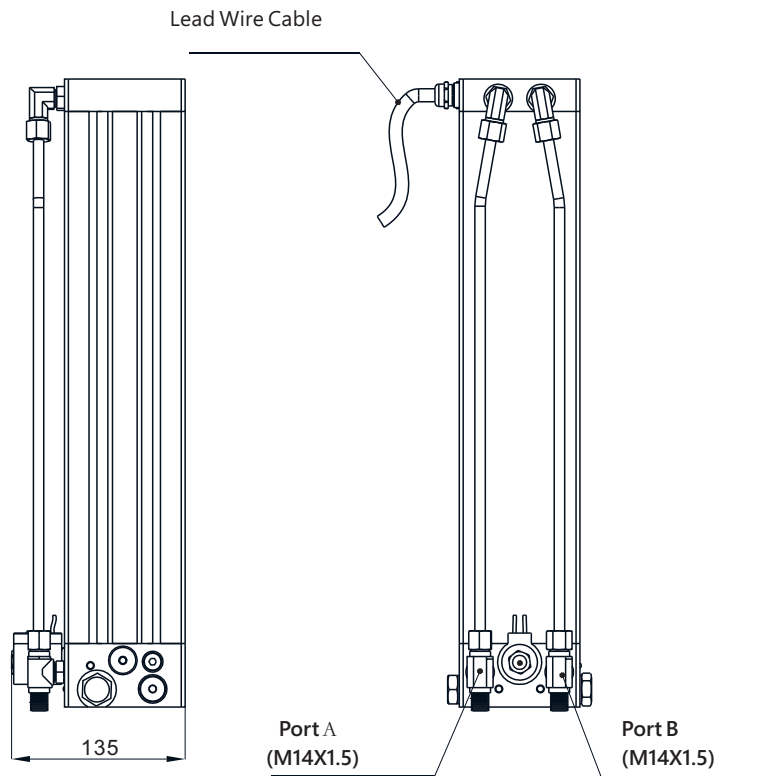
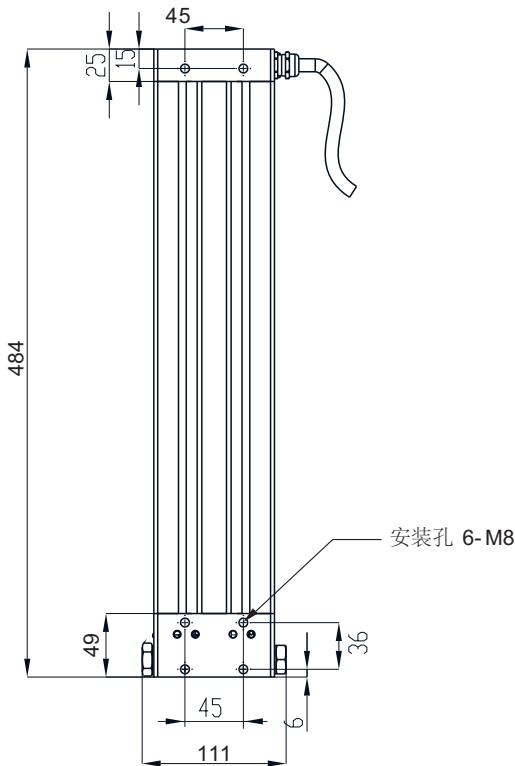
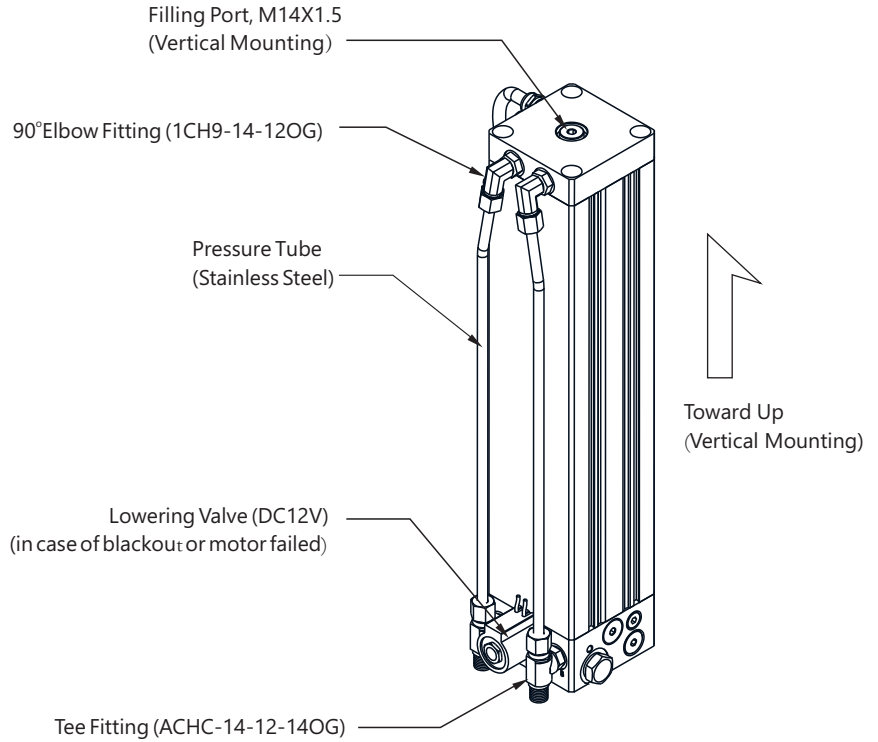
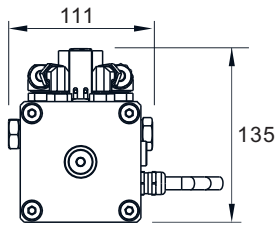
Recommend Vertical Mounting
for better performance.



TS Series

Pressure Switch Built-in

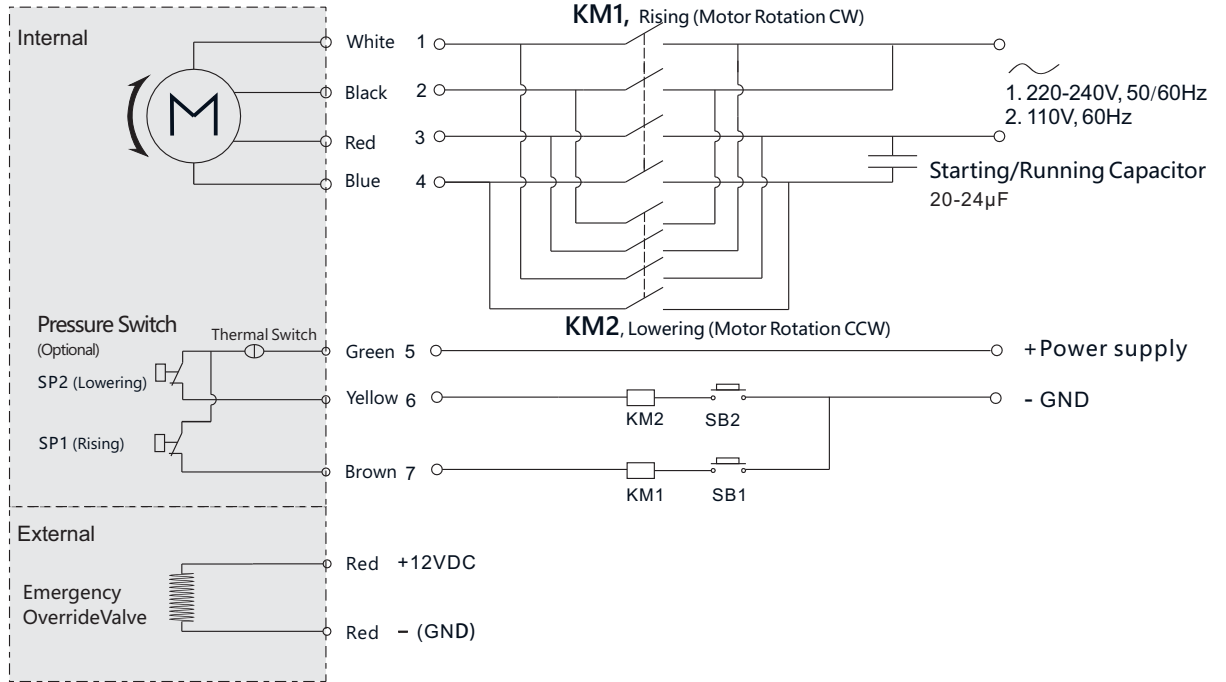
Recommend Vertical Mounting
for better performance.



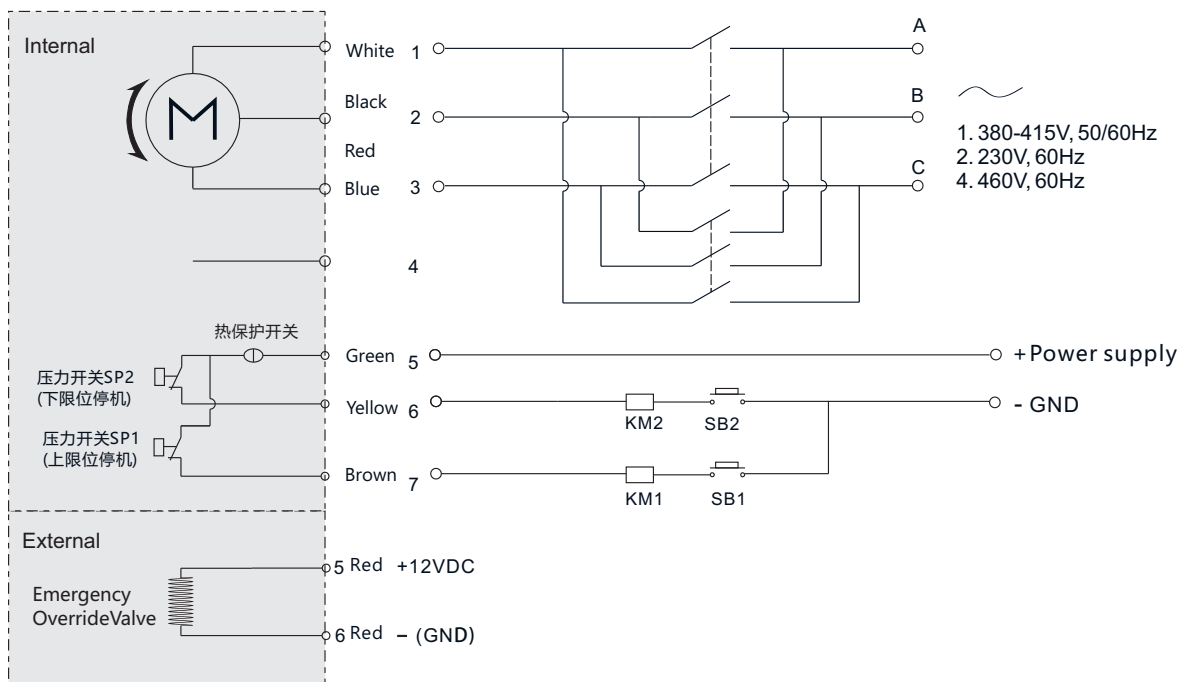
Wiring Diagram

for TS series

Single Phase



Three Phase

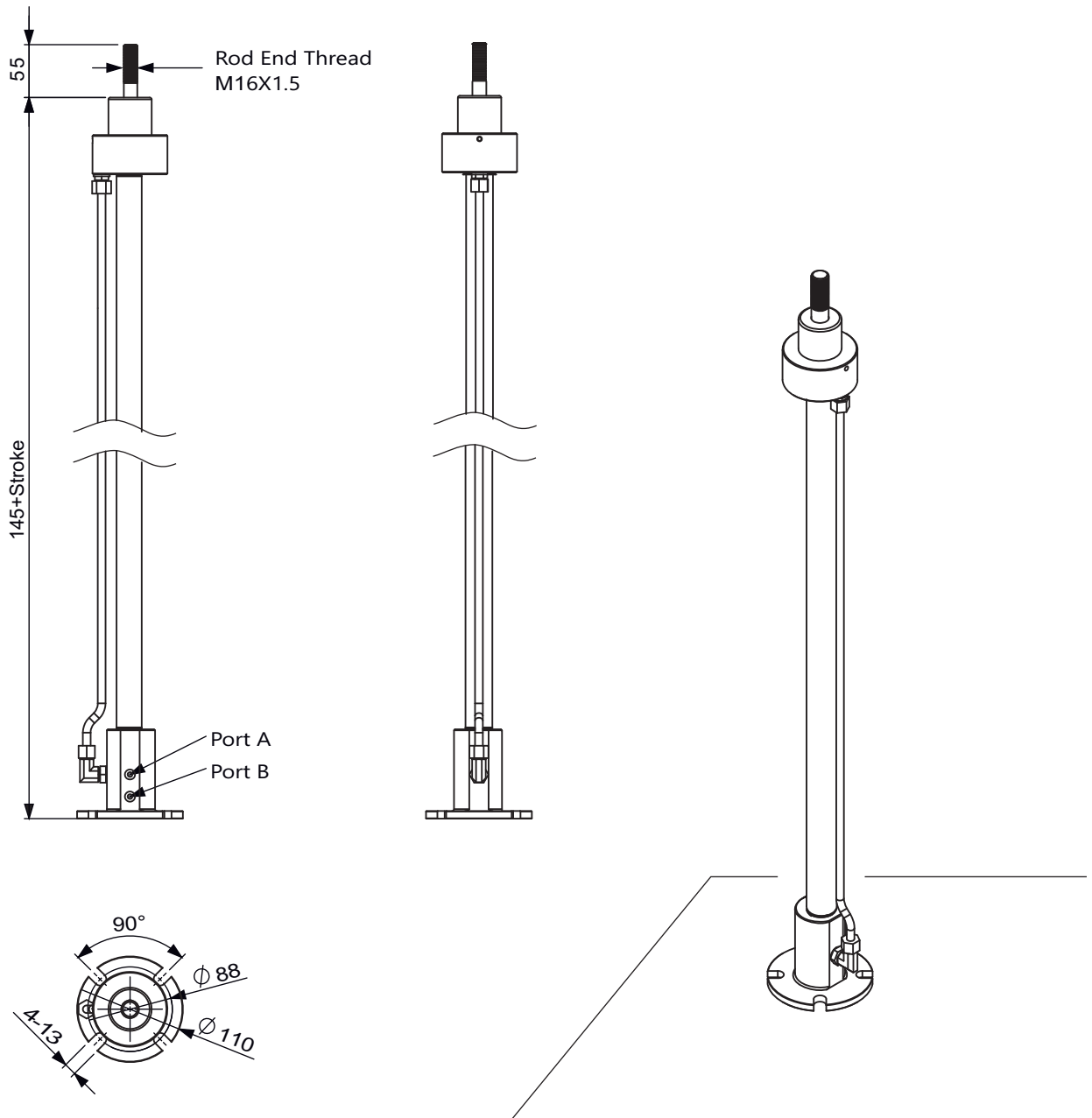


HSG series

Type 20

Code	Bore	Rod Dia	Max Stroke	Max Pressure	*Max Load
G	20mm	16mm	700mm	15MPa	130kg

- Mounting: Vertical Only



HSG series

Type 25

Code	Bore	Rod Dia	Max Stroke	Max Pressure	*Max Load
G	25mm	18mm	700mm	15MPa	200kg
G	25mm	20mm	1000mm	15MPa	300kg

- Mounting: Vertical Only

