

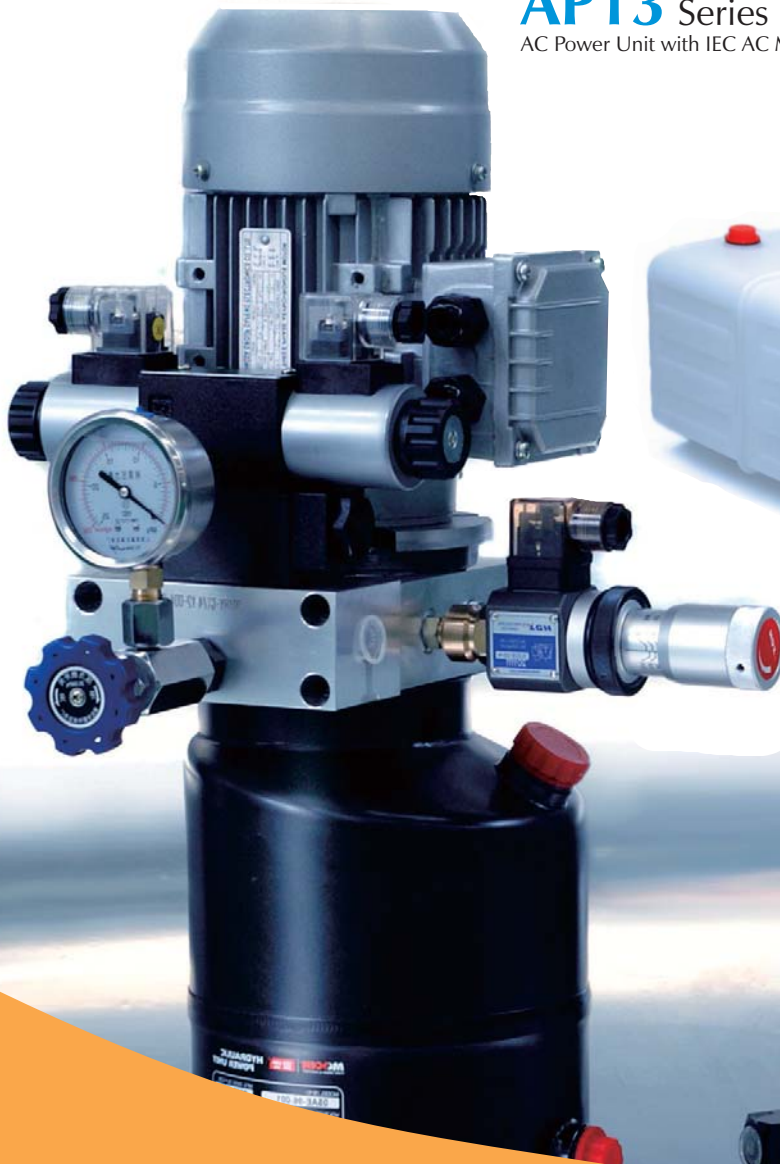
Modular design

High quality parts and components

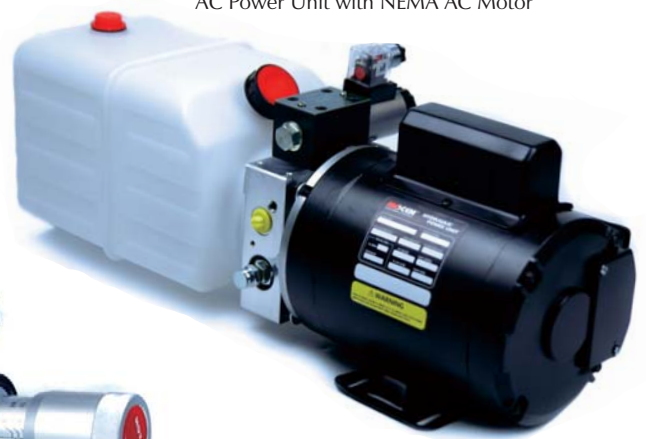
End of Line Test 100%

Flexible Expandability

**AP13 Series**  
AC Power Unit with IEC AC Motor



**AP13 Series**  
AC Power Unit with NEMA AC Motor



Type 06, Single Acting ..... Page B1-3

Type 13, Double Acting, with Cetop5(D03) Valve ..... Page B1-8

Type 14, Double Acting, Expandable Cetop5(D03) Valves ..... Page B1-14

Type 21, Double Acting, with Screw-in Cartridge valves ..... Page B1-20

AP13 C 06 - E 11 S 2 - LS4 - 01

(1) (2) (3) (6) (7) (8) (9) (10) (11)

AP13 M 13 Y - N 10 S 1 - RP1 - 01 — For Function Type 13 only

(1) (2) (3) (4) (6) (7) (8) (9) (10) (11)

AP13 V 14 Y 3 - E 30 T 3 - RP1 - 01 — For Function Type 14/15 only

(1) (2) (3) (4) (5) (6) (7) (8) (9) (10) (11)

(1) AP13 Series - AC Hydraulic Power Unit

(2) Style of Central Manifold : M - Machined Manifold from Aluminum Bar, C - Aluminum Die Casting Manifold

Function Type 14/15 only V - Manifold for Vertical Mounting, H - Manifold for Horizontal Mounting

(3) Function Type ( Hydraulic Circuit ) : 01, 03, 06, 21, 31...

13 - Double Acting Circuit, with Cetop3 (D03) 3/4 Directional Valve.

14 - Expandable Double Acting Circuit, with Cetop3 (D03) 3/4 Directional Valve.

15 - Expandable Double Acting Circuit, with Sectional 3/4 Directional Valve.

(4) Function Code of 3/4 Directional Valve : E, Y, H etc... compatible with Rexroth

(5) Number of Directional Valves Installed.

(6) Motor Series (Size) : E - AC Motor meet IEC Standard.

N - AC Motor meet NEMA Standard.

(7) Rated Power of DC Motor : 03 - 0.375kW, 05 - 0.5kW, 11- 1.1kw, 15 - 1.5kW ...

(8) Phase of AC motor : S - Single Phase, T - Three Phase

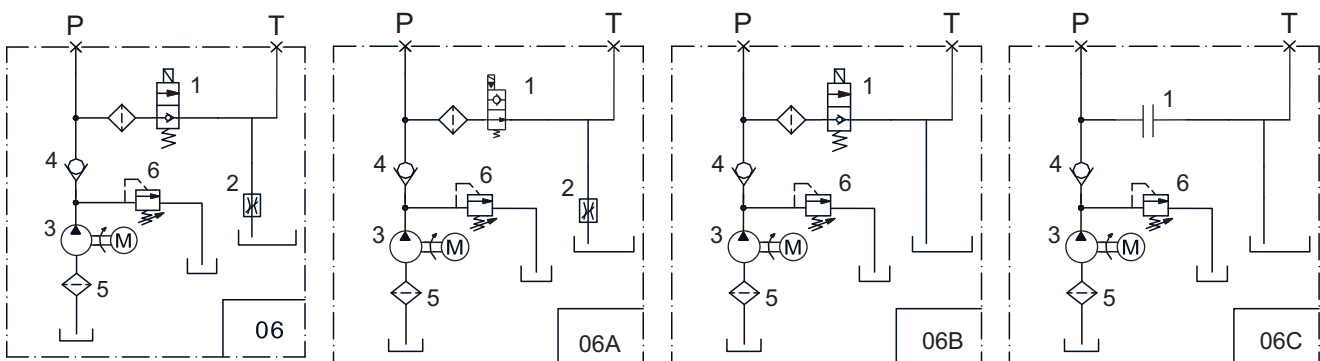
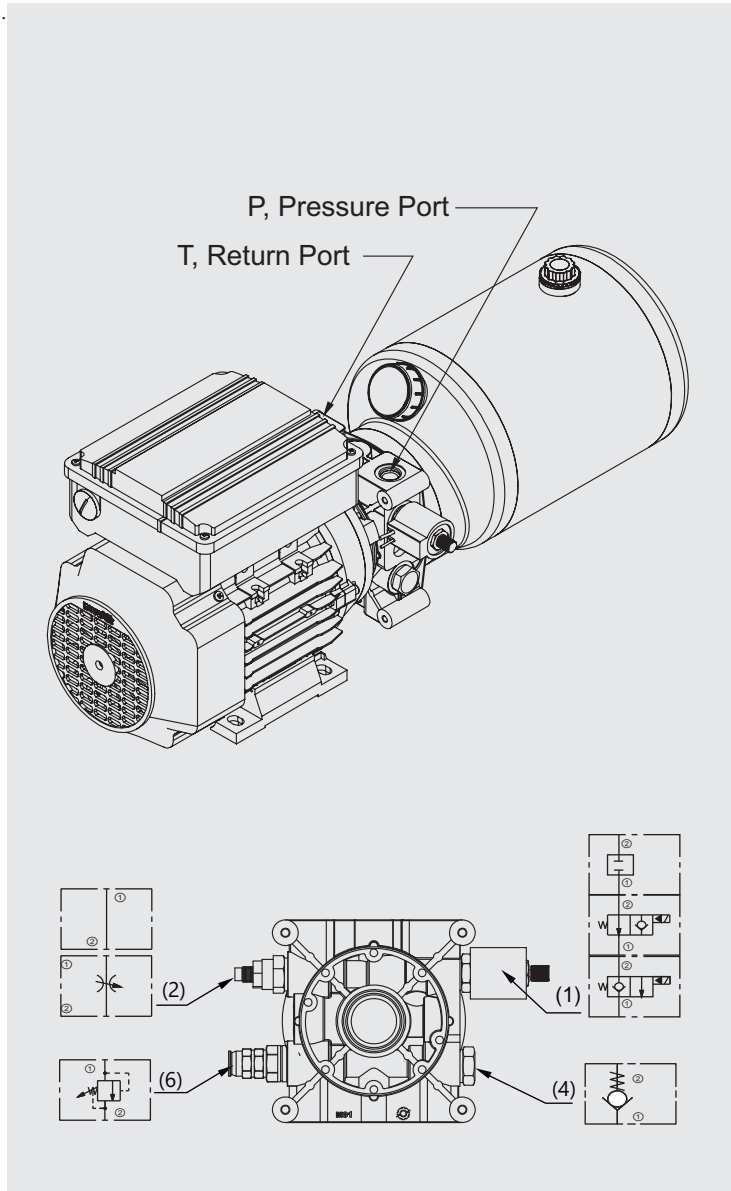
(9) Voltage of DC Motor : 1 - 110V, 2 - 220/230V, 3 - 380/415V, 4 - 460V

(10) Code of Oil Tank : MS- MS tank; RP - RP Tank; etc....

(11) Design Number, specified by Mocen.

## AP13C06

- Driving single acting hydraulic cylinder extending or retracting.
- Choose the appropriate power and pump size according to the load of your application.
- Four options for controlling the Return Flow (down speed) by flow control valve (2):
  1. Non-Adjustable.
  2. Non Adjustable, with pressure compensate .
  3. Adjustable, with pressure compensate .
  4. No return flow control
- Three options for 2-way valve(1)
  1. Manual Valve.
  2. Solenoid Valve.
  3. Solenoid Valve with Manual Override
- Duty cycle is generally S1 continuous duty. It may be varies with loads , please consult us.
- Port P and T, standard options:
  1. G3/8 (BSPP 3/8")
  2. SAE#6 (9/16-18UNF),
  3. M14
 To custom-built other port size, please consult us.
- Optional Tanks:
 Series RP, LS, LT, MS, MT, details refer to page N1.
- Controller Options:
  - 1) KCB21, the basic remote control handset.
  - 2) WRB21, economy wireless remote.



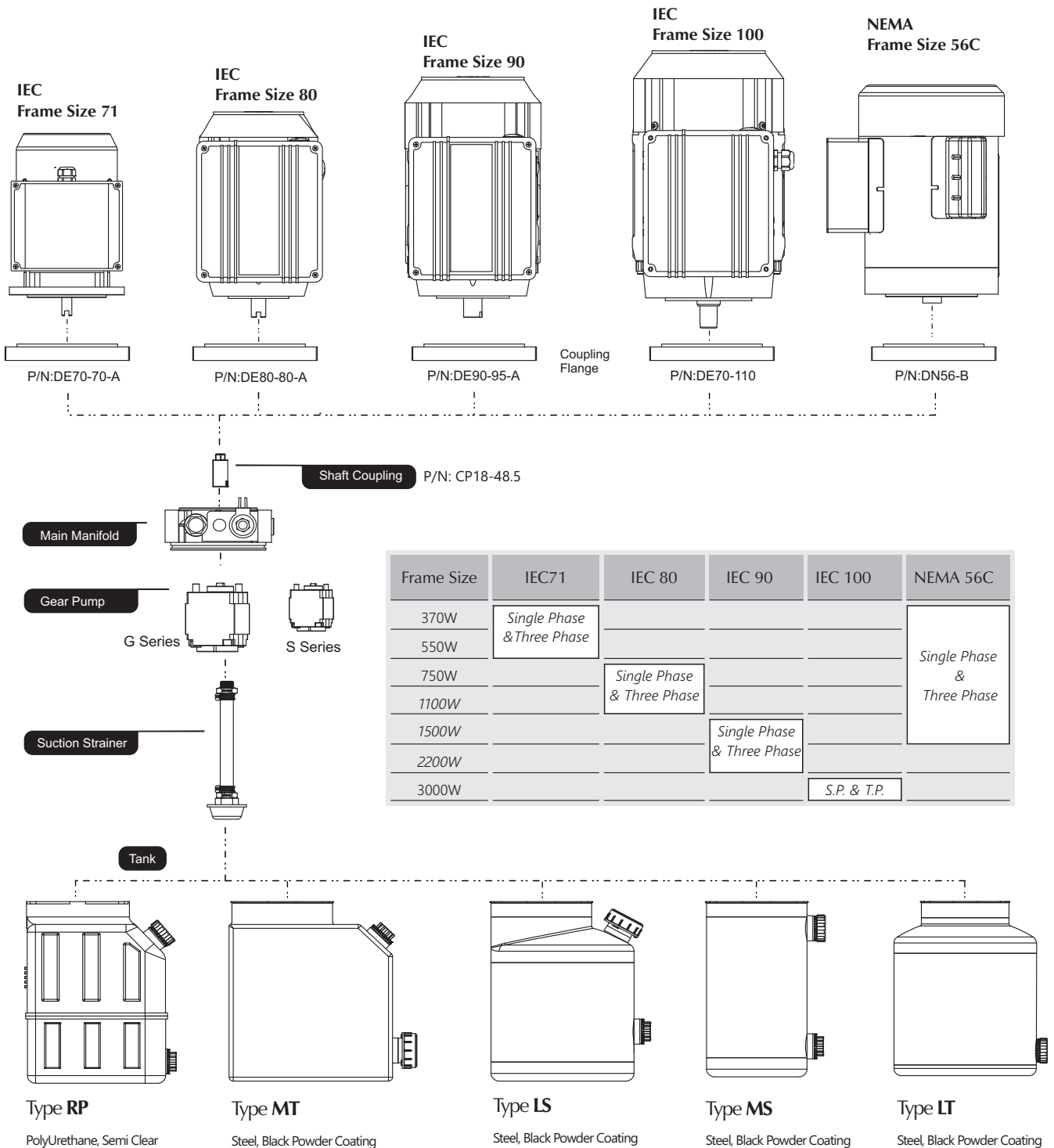
# Function Type 06 - Single Acting

# AP13 Series

AC  
Hydraulic Power Unit

## AP13C06

AC Motor	IEC Standard Motor, WD Series(370w-3kw ; NEMA Standard Motor , 0.37kW -1.5kW)
Main Manifold:	M01-03 (Die Casting Aluminum Manifold)
Gear Pump:	G Series ( Details refer to page G1-1)
Tank:	Type RP, LS, LT, MS, MT, MR (Details refer to page N1)

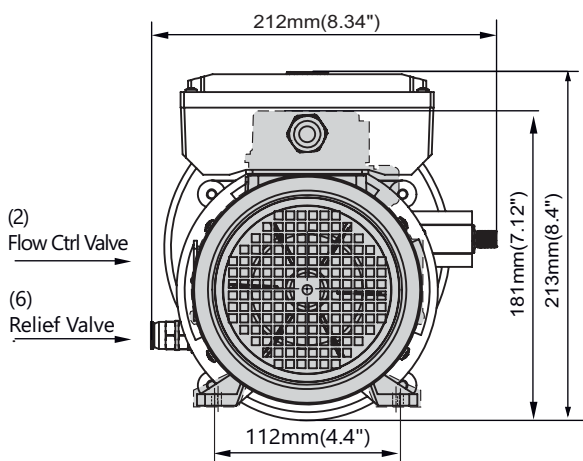
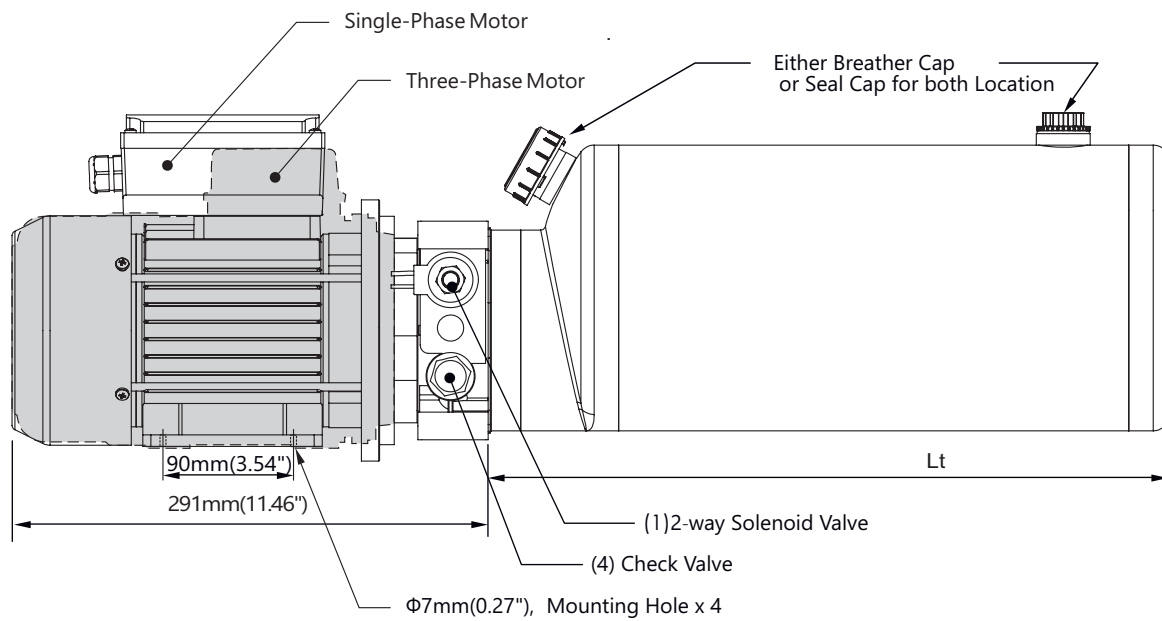


## AP13C06-E03 & AP13C06-E05

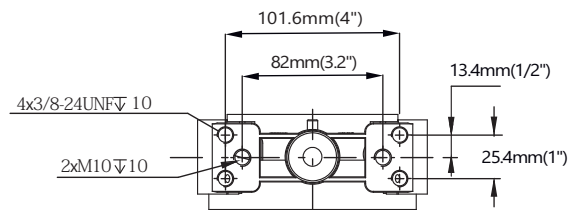
with IEC AC Motor, Frame Size 71

	Rated Power	Voltage (V)	Rated Pressure (Mpa/PSI)	Flow Rate (LPM/GPM)	Max flow pressure (LPM/Mpa)	Max Pressure (Mpa/PSI)	Pump Displacement (ml/r)
AP13M06-E03	0.37kW	220V, S. Phase	18/2600	0.68/0.17	0.85/10	20/2900	0.38
		380V, T.Phase	20/2900			22/3200	
AP13M06-E05	0.55kW	220V, S. Phase	18/2600	0.98/0.25	1.2/10	20/2900	0.5
		380V, T. Phase	20/2900			22/3200	

1. IEC AC Motor, with **CE** certification
2. Single Phase Motor is Capacitor Start & Run, Efficiency Grade IE2. (Higher efficiency grade may available upon request.)
3. 2-pole motor is standard, 2800RPM. (4-pole or 6-pole is available upon request.)



**LS tank** showed in following drawings.  
The dimension "Lt" of LS tank or other optional tanks,  
please refer to Page N1



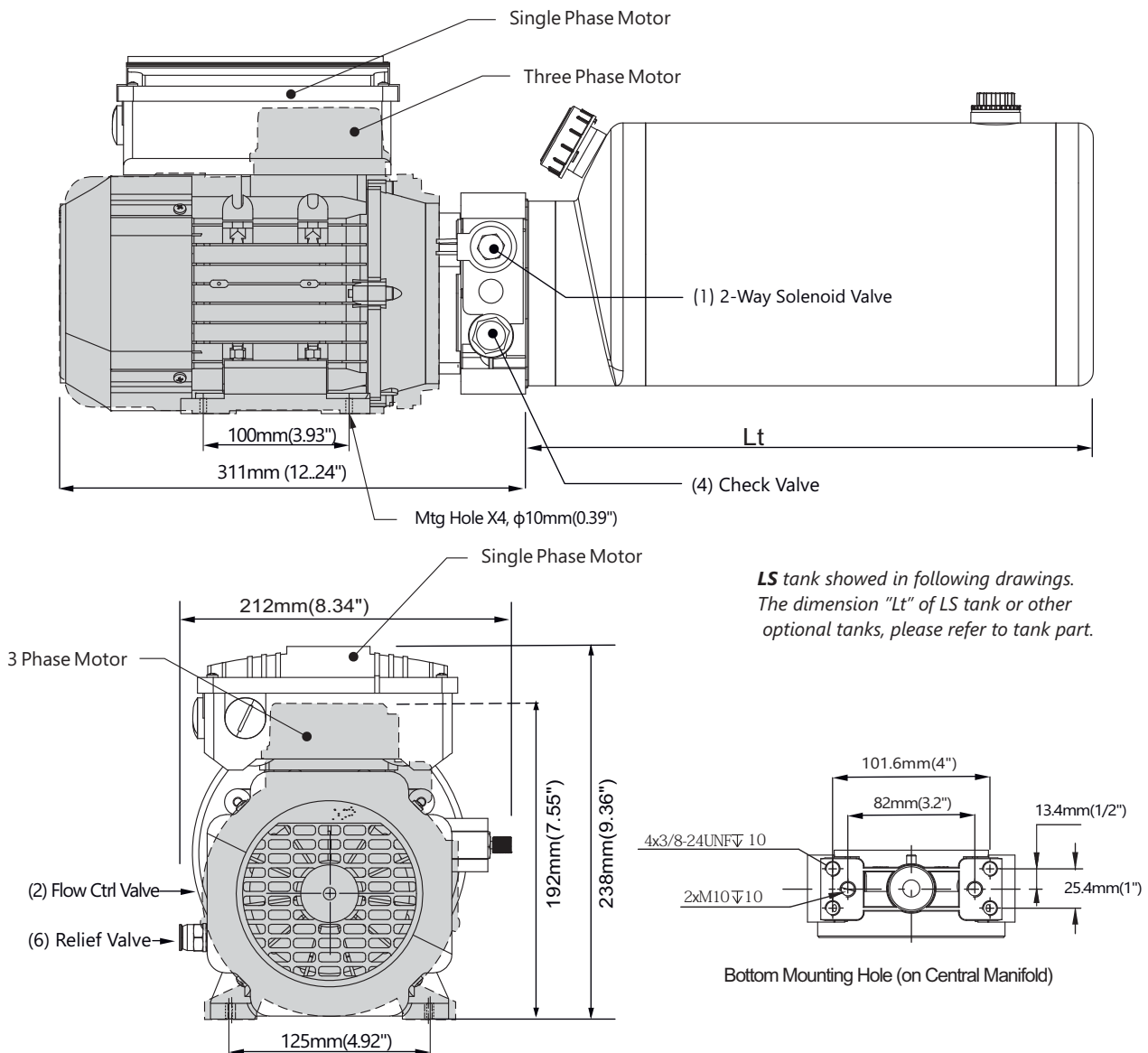
Bottom Mounting Hole (on Central Manifold)

## AP13C06-E07 & AP13C06-E11

with IEC AC Motor, Frame Size 80

	Rated Power	Voltage (V)	Rated Pressure (Mpa/PSI)	Flow Rate (LPM/GPM)	Max flow pressure (LPM/Mpa)	Max Pressure (Mpa/PSI)	Pump Displacement (ml/r)
AP13M06-E07	0.75kW	220V, S. Phase	16/2300	1.45/0.38	1.85/10	18/2600	0.8
		380V, T.Phase	18/2600			20/2900	
AP13M06-E11	1.1kW	220V, S. Phase	18/2600	2/0.52	2.6/10	20/2900	1.1
		380V, T. Phase	20/2900			22/3200	

1. IEC AC Motor, with **CE** certification
2. Single Phase Motor is Capacitor Start & Run, Efficiency Grade IE2. (Higher efficiency grade may available upon request.)
3. 2-pole motor is standard, 2800RPM. (4-pole or 6-pole is available upon request.)

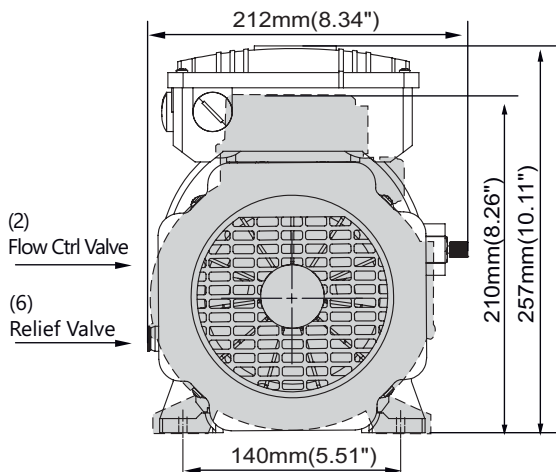
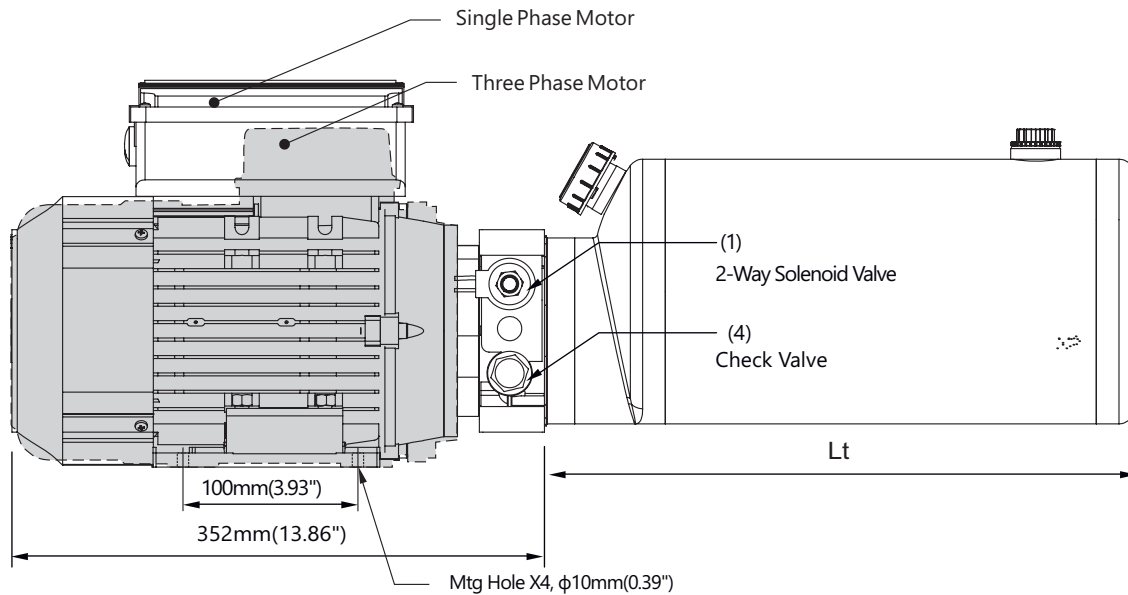


## AP13C06-E15 & AP13C06-E22

with IEC AC Motor, Frame Size 90

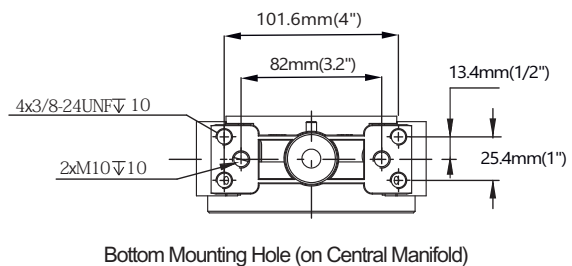
	Rated Power	Voltage (V)	Rated Pressure (Mpa/PSI)	Flow Rate (LPM/GPM)	Max flow pressure (LPM/Mpa)	Max Pressure (Mpa/PSI)	Pump Displacement (ml/r)
AP13M06-E15	1.5kW	220V, S. Phase	16/2300	2.9/0.77	3.7/10	18/2600	1.6
		380V, T.Phase	18/2600			20/2900	
AP13M06-E22	2.2kW	220V, S. Phase	18/2600	3.8/1.01	4.9/10	20/2900	2.1
		380V, T. Phase	20/2900			22/3200	

1. IEC AC Motor, with **CE** certification
2. Single Phase Motor is Capacitor Start & Run, Efficiency Grade IE2. (Higher efficiency grade may available upon request.)
3. 2-pole motor is standard, 2800RPM. (4-pole or 6-pole is available upon request.)



LS tank showed in following drawings.

The dimension "Lt" of LS tank or other optional tanks, please refer to tank part.

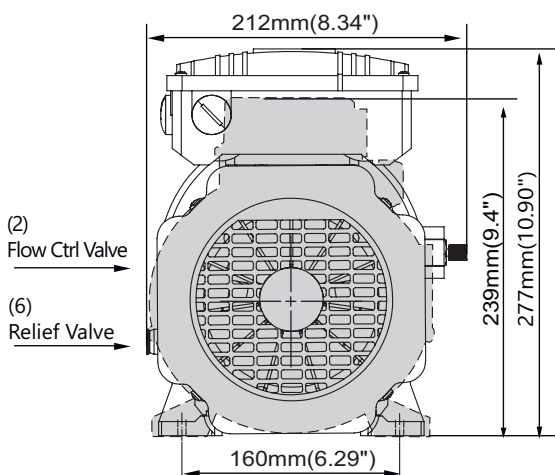
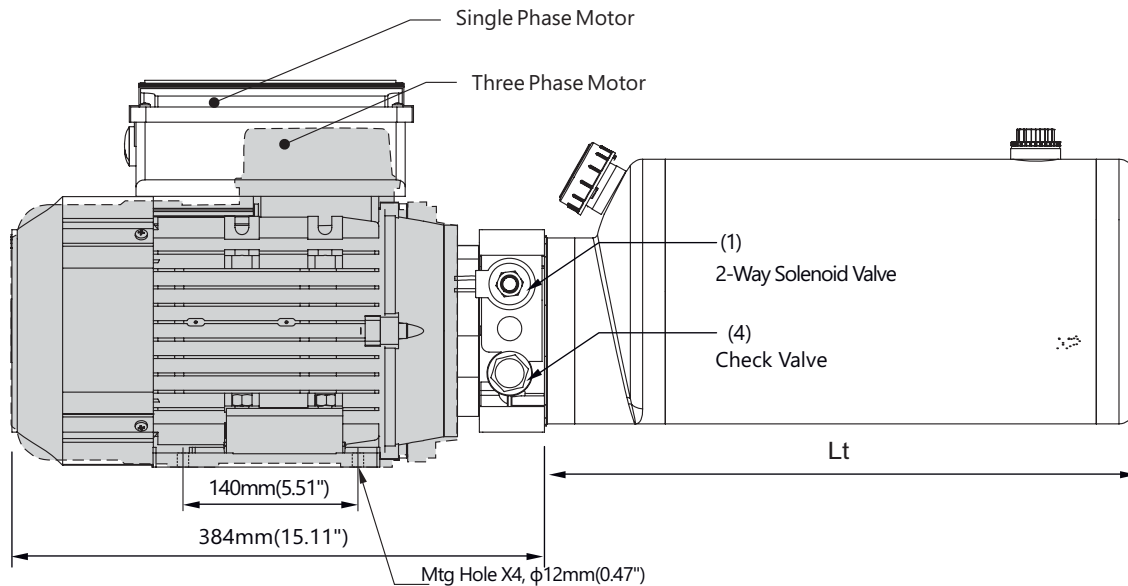


## AP13C06-E30 & AP13C06-E40

with IEC AC Motor, Frame Size 100

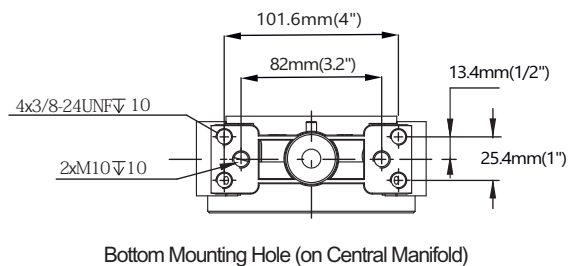
	Rated Power	Voltage (V)	Rated Pressure (Mpa/PSI)	Flow Rate (LPM/GPM)	Max flow pressure (LPM/Mpa)	Max Pressure (Mpa/PSI)	Pump Displacement (ml/r)
AP13M13-E30	3kW	220V, S. Phase	16/2300	5.7/1.53	7.5/10	18/2600	3.2
		380V, T.Phase	18/2600			20/2900	
AP13M13-E40	4KW	380V, T. Phase	17/2450	7.6/2	10/10	20/2900	4.2

1. IEC AC Motor, with **CE** certification
2. Single Phase Motor is Capacitor Start & Run, Efficiency Grade IE2. (Higher efficiency grade may available upon request.)
3. 2-pole motor is standard, 2800RPM. (4-pole or 6-pole is available upon request.)



LS tank showed in following drawings.

The dimension "Lt" of LS tank or other optional tanks, please refer to tank part.





# Function Type 13 - Double Acting

With Stackable Cetop (D03) Directional Valve

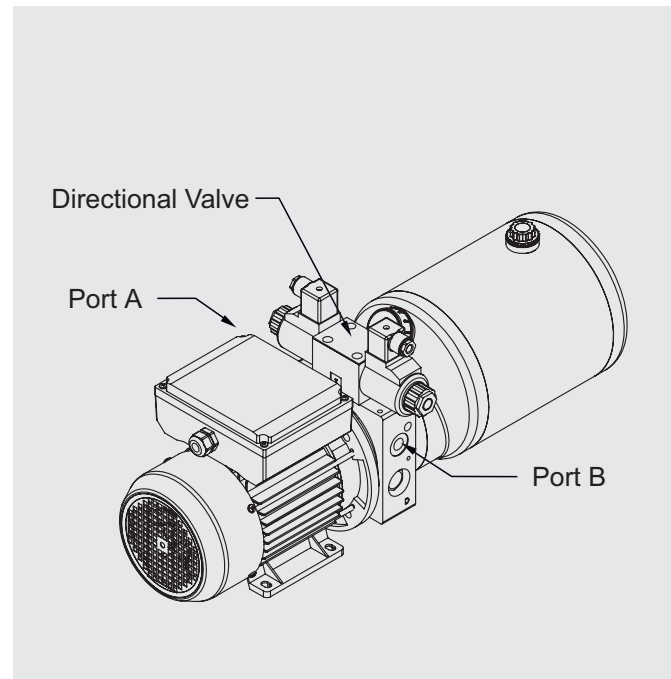
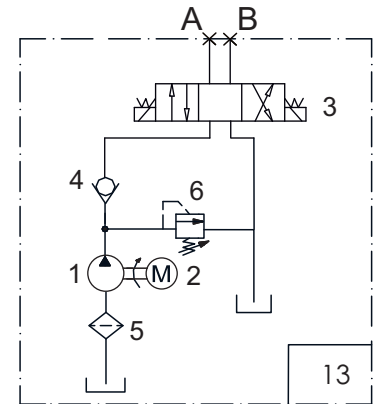
# AP13

Series

AC  
Hydraulic Power Unit

## AP13M13

- Driving double acting hydraulic cylinder extending and retracting.
- Choose the appropriate power and pump size according to the load of your application.
- More options for 3W4P directional valve(3), more details refer to Valve Section.
  1. Solenoid Valve.
  2. Solenoid Valve with Manual Override
- Duty cycle is generally S1 Continuous Duty. It may be varies with loads , please consult us.
- Port A and B, standard options:
  1. G3/8 (BSPP 3/8")
  2. SAE#6(9/16-18UNF),
  3. M14To custom-built other port size, please consult us.
- Optional Tanks:  
Series RP, LS, LT, MS, MT, details refer to page N1.
- Controller Options:
  - 1) KCB22, the basic remote control handset.
  - 2) WRB22, economy wireless remote.More details please refer to page F
- Popular Applications:  
Material Handling forklift, Mobile Home (RV), etc..



# Function Type 13 - Double Acting

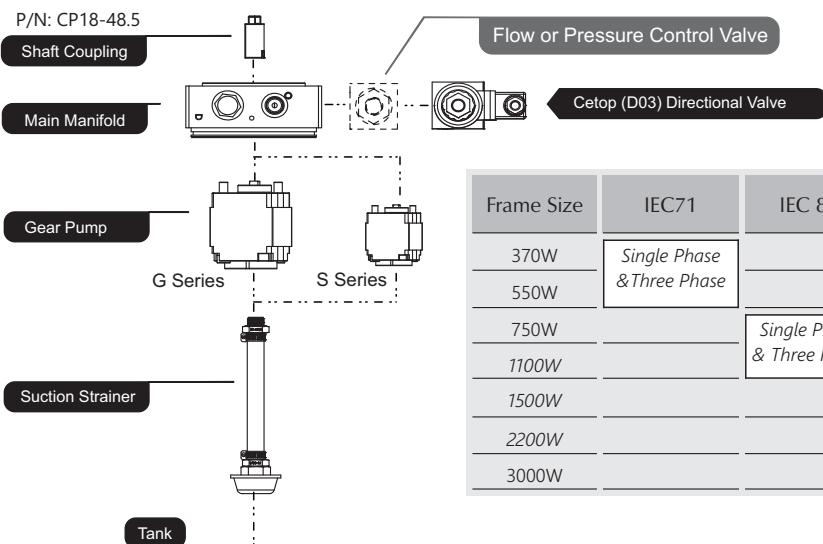
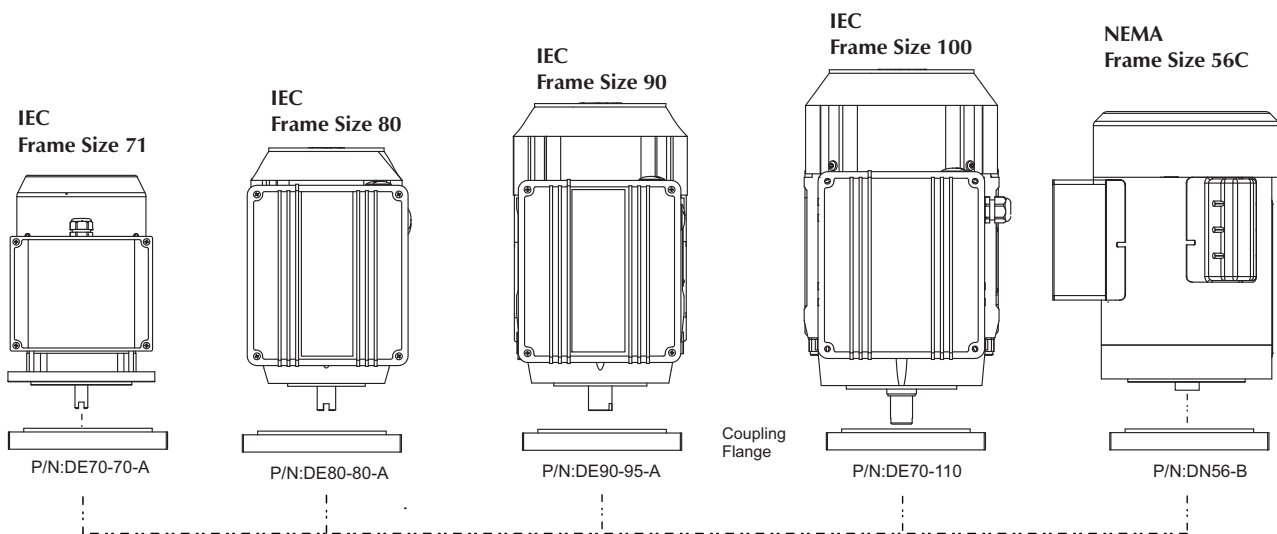
With Stackable Cetop (D03) Directional Valve, Single Output

# AP13 Series

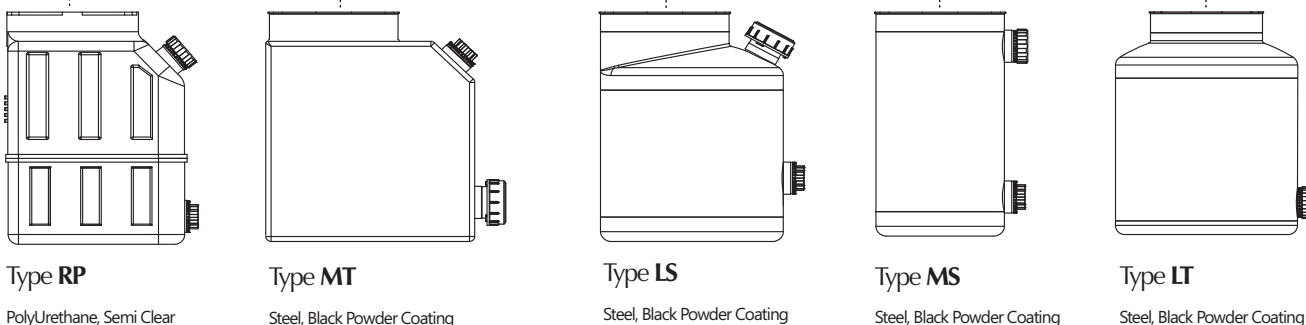
AC Hydraulic Power Unit

## AP13M13

AC Motor	IEC Standard Motor, 370w-4kw; NEMA Standard Motor, 370W-2.2kW
Main Manifold:	UD013A (Machined Manifold from Aluminum Bar)
Gear Pump:	G Series ( Details refer to page G1-1)
Tank:	Type RP, LS, LT, MS, MT, MR (Details refer to page N1)



Frame Size	IEC71	IEC 80	IEC 90	IEC 100	NEMA 56C
370W	Single Phase & Three Phase				Single Phase & Three Phase
550W					
750W		Single Phase & Three Phase			
1100W					
1500W			Single Phase & Three Phase		
2200W					
3000W				S.P. & T.P.	



# Function Type 13 - Double Acting

With Stackable Cetop (D03) Directional Valve, Single Output

# AP13 Series

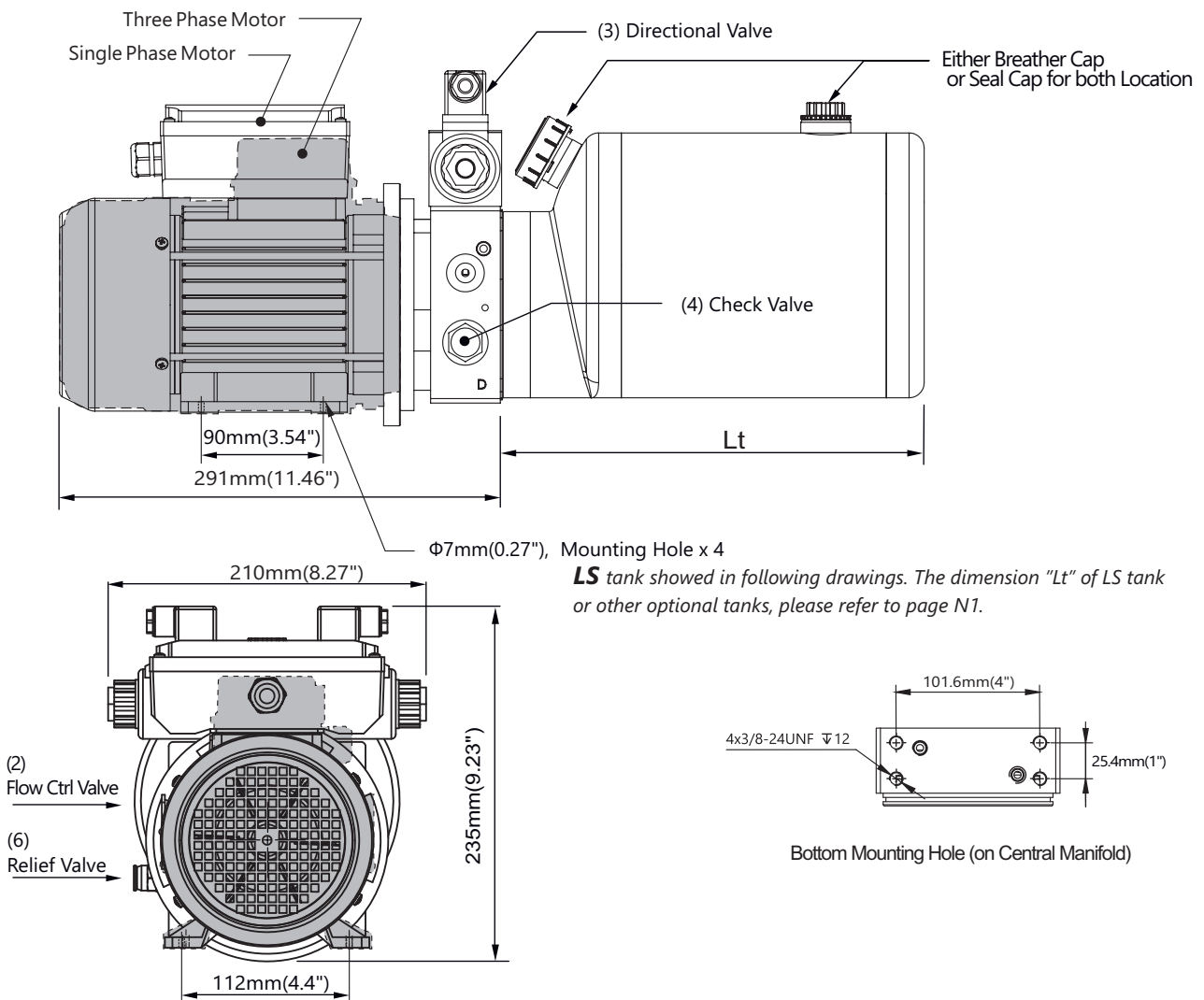
AC  
Hydraulic Power Unit

## AP13M13-E03 & AP13M13-E05

with IEC AC Motor, Frame Size 71

	Rated Power	Voltage (V)	Rated Pressure (Mpa/PSI)	Flow Rate (LPM/GPM)	Max flow pressure (LPM/Mpa)	Max Pressure (Mpa/PSI)	Pump Displacement (ml/r)
AP13M13-E03	0.37kW	220V, S. Phase	18/2600	0.68/0.17	0.85/10	20/2900	0.38
		380V, T.Phase	20/2900			22/3200	
AP13M13-E05	0.55kW	220V, S. Phase	18/2600	0.98/0.25	1.2/10	20/2900	0.5
		380V, T. Phase	20/2900			22/3200	

1. IEC AC Motor, with **CE** certification
2. Single Phase Motor is Capacitor Start & Run, Efficiency Grade IE2. (Higher efficiency grade may available upon request.)
3. 2-pole motor is standard, 2800RPM. (4-pole or 6-pole is available upon request.)



# Function Type 13 - Double Acting

With Stackable Cetop (D03) Directional Valve, Single Output

# AP13 Series

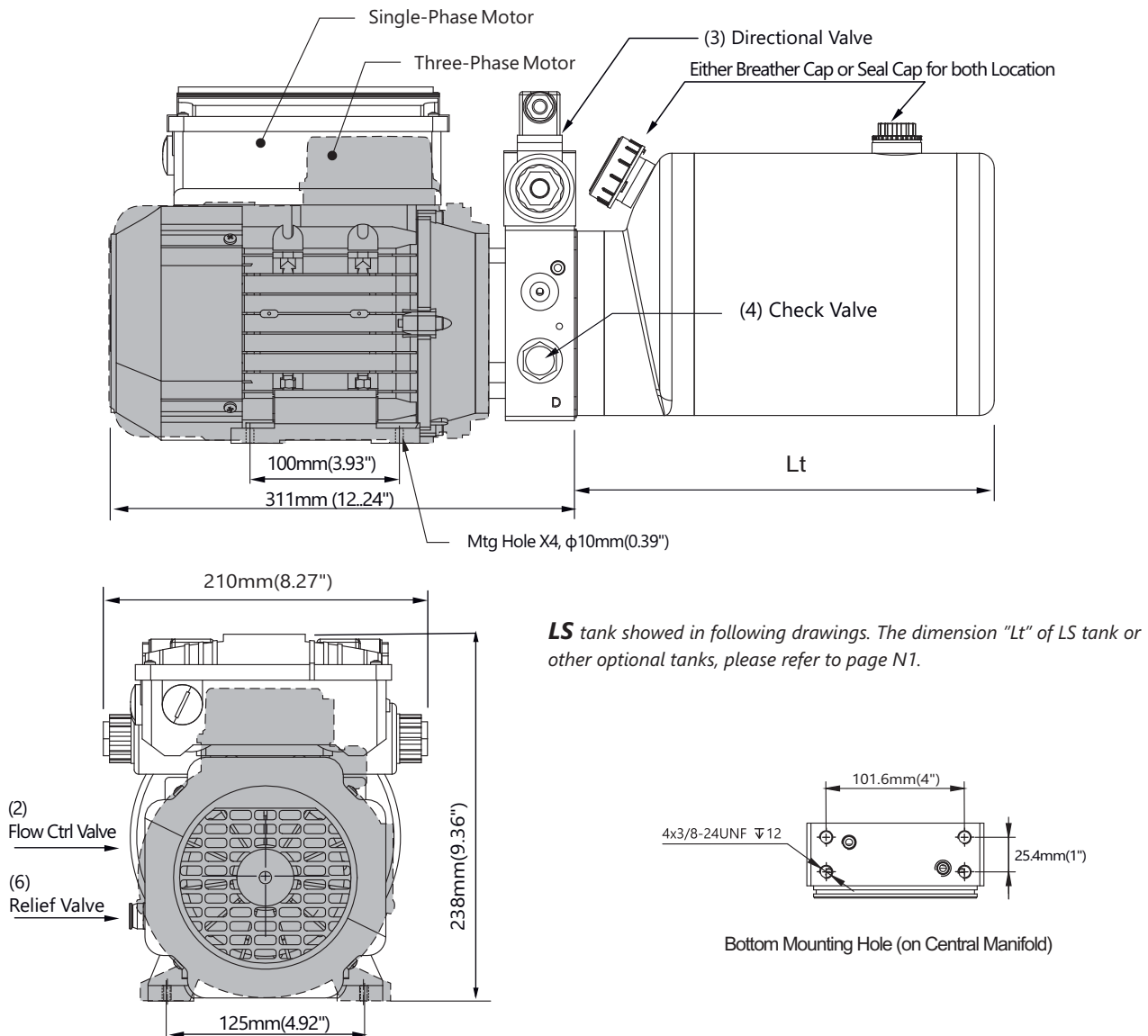
AC  
Hydraulic Power Unit

## AP13M13-E07 & AP13M13-E11

with IEC AC Motor, Frame Size 80

	Rated Power	Voltage (V)	Rated Pressure (Mpa/PSI)	Flow Rate (LPM/GPM)	Max flow pressure (LPM/Mpa)	Max Pressure (Mpa/PSI)	Pump Displacement (ml/r)
AP13M13-E07	0.75kW	220V, S. Phase	16/2300	1.45/0.38	1.85/10	18/2600	0.8
		380V, T.Phase	18/2600			20/2900	
AP13M13-E11	1.1kW	220V, S. Phase	18/2600	2/0.52	2.6/10	20/2900	1.1
		380V, T. Phase	20/2900			22/3200	

1. IEC AC Motor, with **CE** certification
2. Single Phase Motor is Capacitor Start & Run, Efficiency Grade IE2. (Higher efficiency grade may available upon request.)
3. 2-pole motor is standard, 2800RPM. (4-pole or 6-pole is available upon request.)



# Function Type 13 - Double Acting

With Stackable Cetop (D03) Directional Valve, Single Output

# AP13 Series

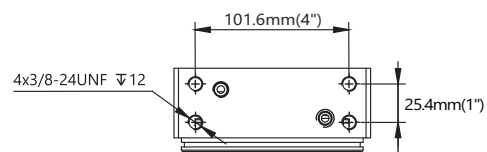
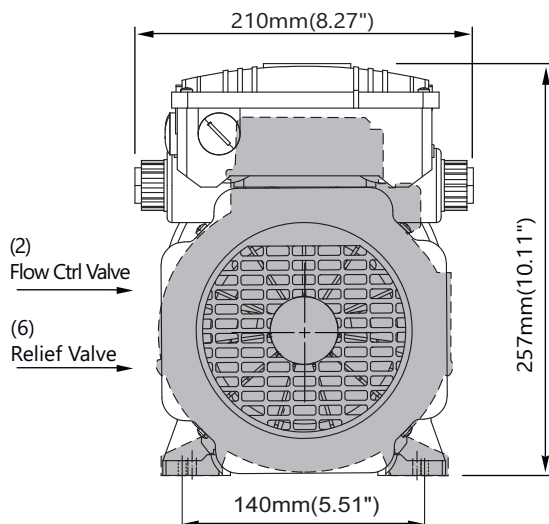
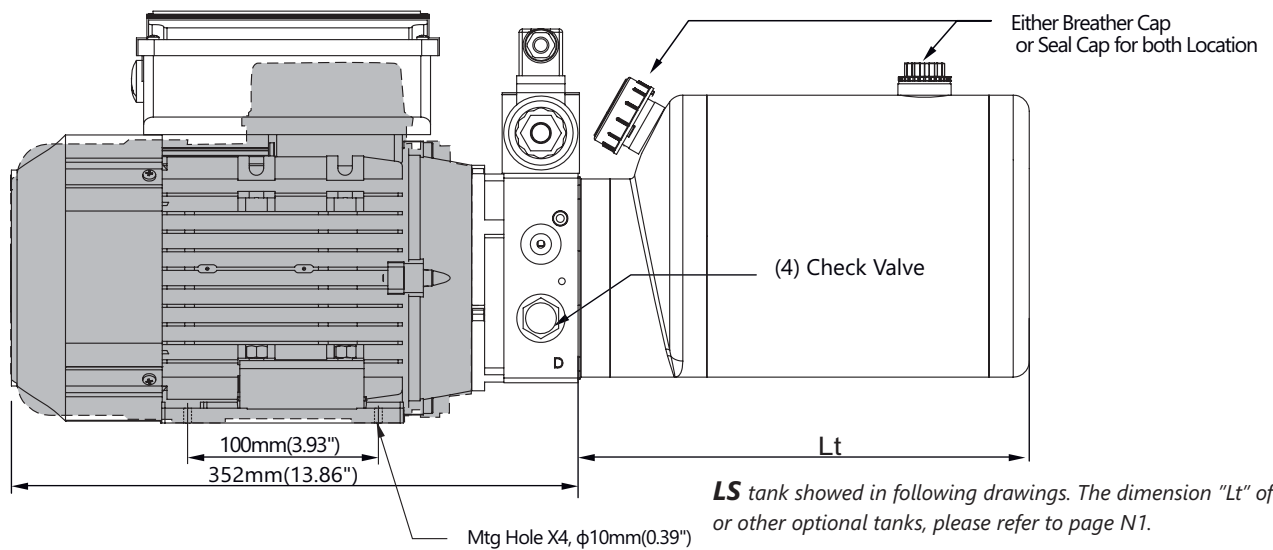
AC  
Hydraulic Power Unit

## AP13M13-E15 & AP13M13-E22

with IEC AC Motor, Frame Size 90

	Rated Power	Voltage (V)	Rated Pressure (Mpa/PSI)	Flow Rate (LPM/GPM)	Max flow pressure (LPM/Mpa)	Max Pressure (Mpa/PSI)	Pump Displacement (ml/r)
AP13M13-E15	1.5kW	220V, S. Phase	16/2300	2.9/0.77	3.7/10	18/2600	1.6
		380V, T.Phase	18/2600			20/2900	
AP13M13-E22	2.2kW	220V, S. Phase	18/2600	3.8/1.01	4.9/10	20/2900	2.1
		380V, T. Phase	20/2900			22/3200	

1. IEC AC Motor, with **CE** certification
2. Single Phase Motor is Capacitor Start & Run, Efficiency Grade IE2. (Higher efficiency grade may available upon request.)
3. 2-pole motor is standard, 2800RPM. (4-pole or 6-pole is available upon request.)



Bottom Mounting Hole (on Central Manifold)

# Function Type 13 - Double Acting

With Stackable Cetop (D03) Directional Valve, Single Output

# AP13 Series

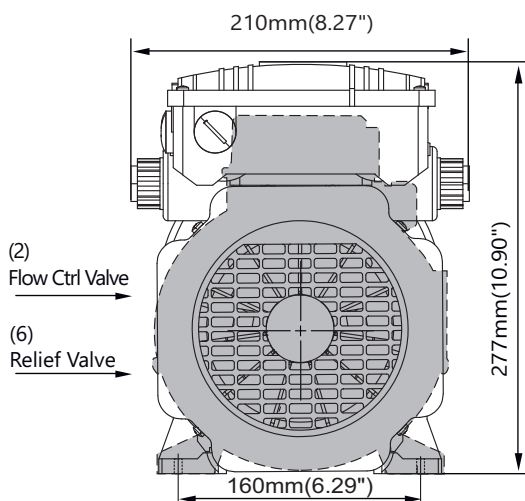
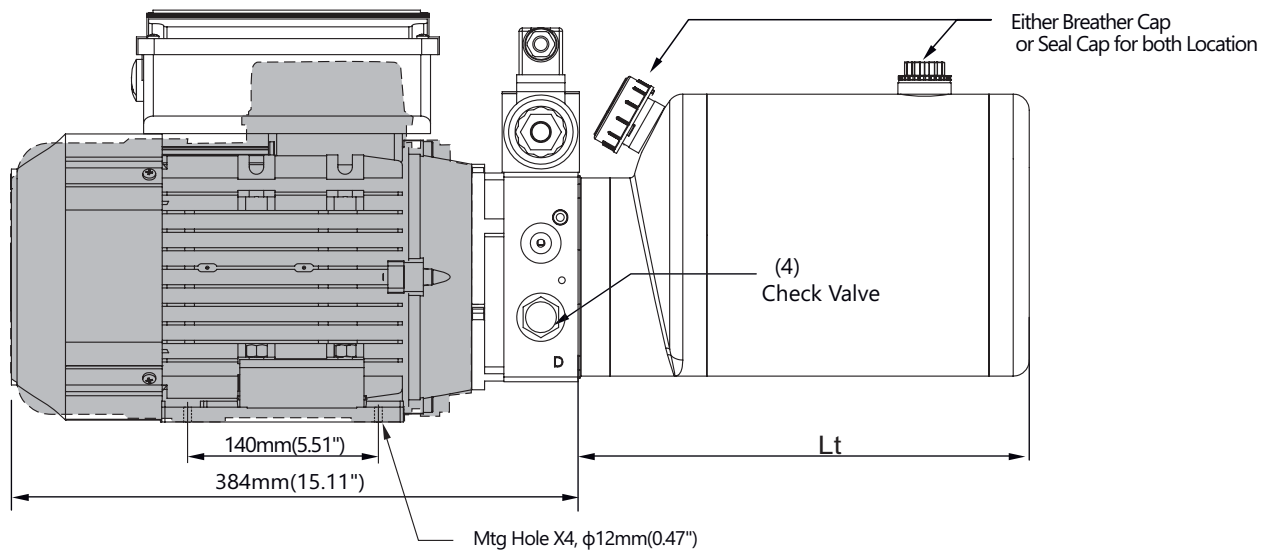
AC  
Hydraulic Power Unit

## AP13M13-E30 & AP13M13-E40

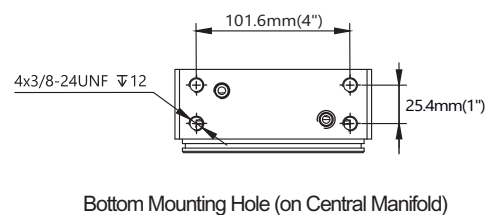
with IEC AC Motor, Frame Size 100

	Rated Power	Voltage (V)	Rated Pressure (Mpa/PSI)	Flow Rate (LPM/GPM)	Max flow pressure (LPM/Mpa)	Max Pressure (Mpa/PSI)	Pump Displacement (ml/r)
AP13M13-E30	3kW	220V, S. Phase	16/2300	5.7/1.53	7.5/10	18/2600	3.2
		380V, T.Phase	18/2600			20/2900	
AP13M13-E40	4KW	380V, T. Phase	17/2450	7.6/2	10/10	20/2900	4.2

1. IEC AC Motor, with **CE** certification
2. Single Phase Motor is Capacitor Start & Run, Efficiency Grade IE2. (Higher efficiency grade may available upon request.)
3. 2-pole motor is standard, 2800RPM. (4-pole or 6-pole is available upon request.)



**LS** tank showed in following drawings. The dimension "Lt" of LS tank or other optional tanks, please refer to page N1.



# Function Type 14 - Double Acting

Expandable with Cetop (D03) Directional Valve

# AP13

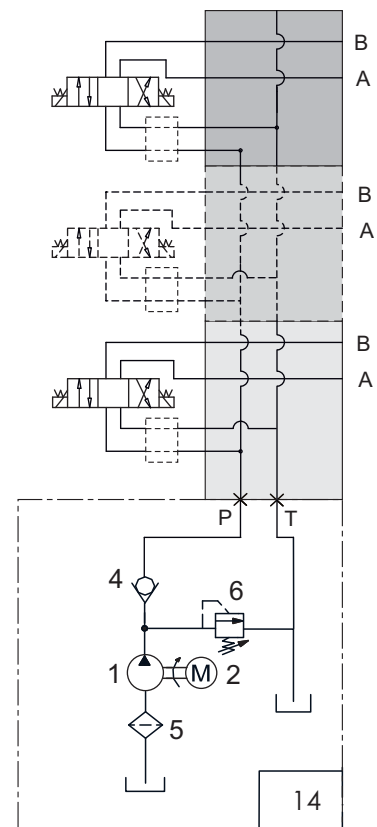
Series

AC  
Hydraulic Power Unit

## AP13V14 & AP13H14

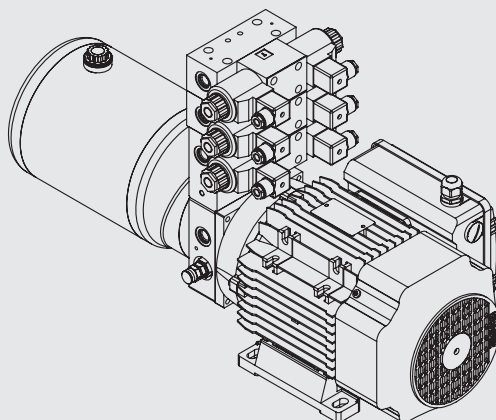
### Expandable Circuit Design

- Driving double acting hydraulic cylinder extending and retracting.
- Choose the appropriate power and pump size according to the load of your application. Please refer to Page A-01 or consult us.
- Options for 3W4P directional valve(3), more details refer to page DD.
  1. Solenoid Valve.
  2. Solenoid Valve with Manual Override
- Duty cycle is generally continuously running. It may be varies with loads , please consult us.
- Port A and B, standard options:
  1. G3/8 (BSPP 3/8")
  2. SAE#6(9/16-18UNF),
  3. M14To custom-built other port size, please consult us.
- Optional Tanks:  
Series RP, LS, LT, MS, MT, details refer to page BB.
- Controller Options:
  - 1) KCB Series, the basic remote control handset, able to control 3 paths.
  - 2) WRV Series, industrial grade wireless remote, able to control 3 paths max.More details please refer to page N2

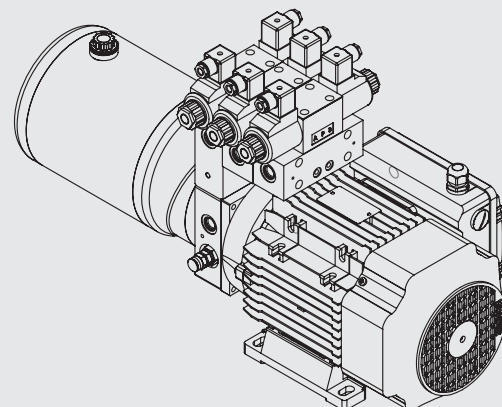


\*2 Valves (paths) min, expandable up to 5 Valves (paths).

AP13V14  
Vertical Stacking



AP13H14  
Horizontal Stacking



# Function Type 14 - Double Acting

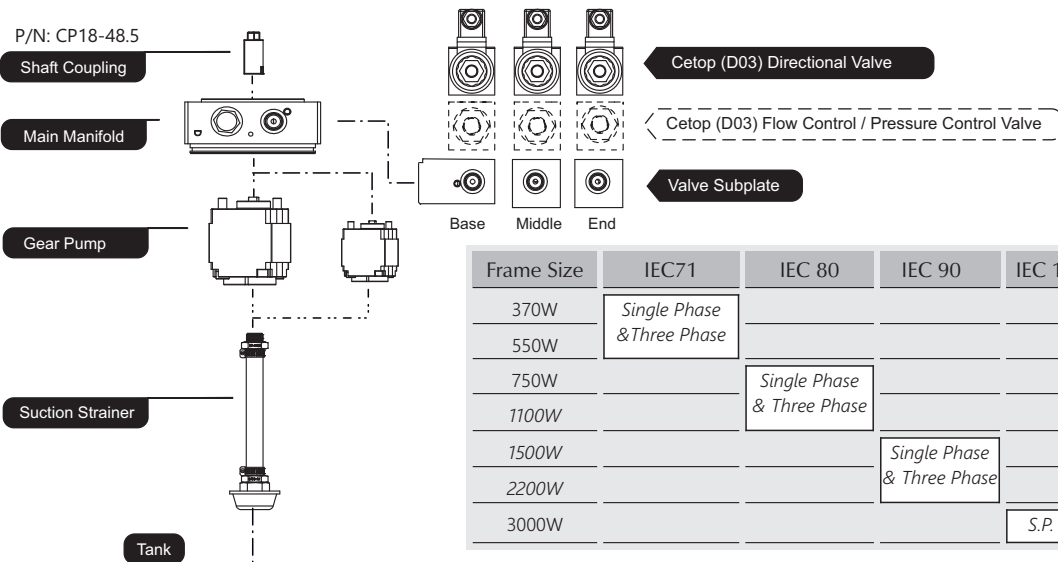
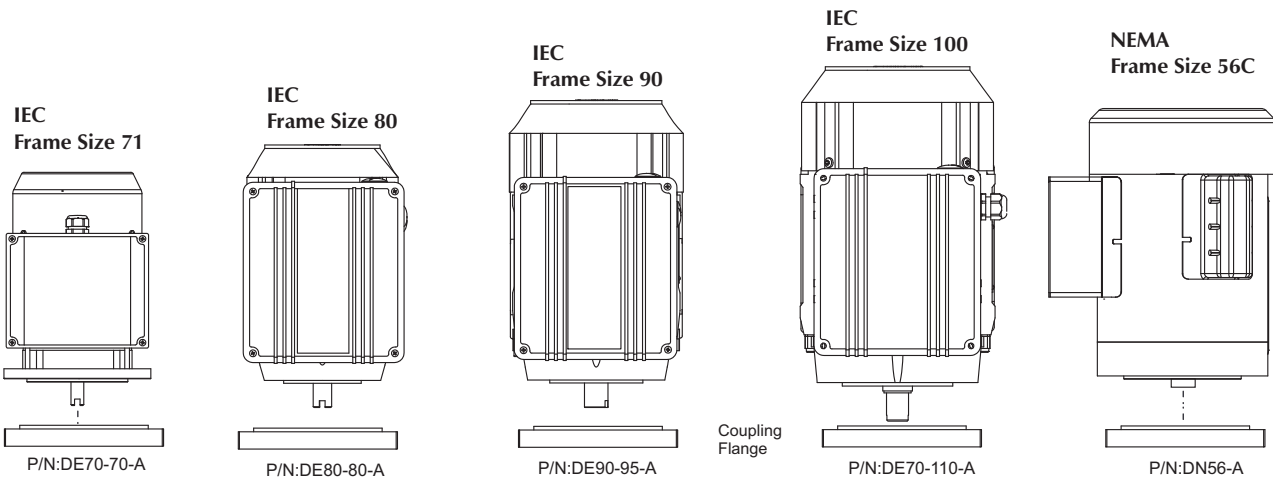
Expandable with Cetop (D03) Directional Valve

# AP13 Series

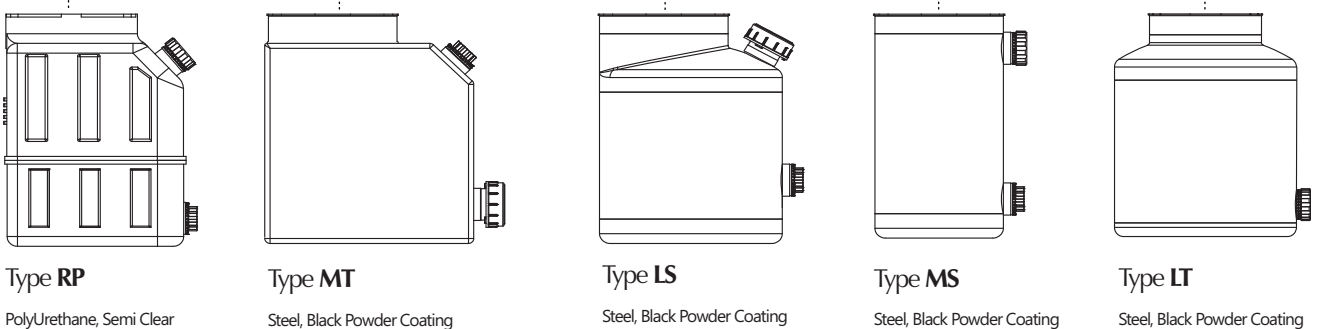
AC Hydraulic Power Unit

## AP13V14 & AP13H14

AC Motor	IEC Standard Motor, 370w-4kw; NEMA Standard Motor, 370W-2.2kW
Main Manifold:	UD013A (Machined Manifold from Aluminum Bar)
Gear Pump:	G Series, S Series ( Details refer to page G1-1)
Tank:	Type RP, LS, LT, MS, MT, MR (Details refer to page N1)



Frame Size	IEC71	IEC 80	IEC 90	IEC 100	NEMA 56C
370W	Single Phase & Three Phase				Single Phase & Three Phase
550W					
750W	Single Phase & Three Phase				
1100W					
1500W		Single Phase & Three Phase			
2200W					
3000W				S.P. & T.P.	





# Function Type 14 - Double Acting

Expandable with Cetop (D03) Directional Valve

# AP13

Series

AC  
Hydraulic Power Unit

Vertical Stacking

with Single Phase Motor

## AP13V14\*\***-E**

**AP13V14\*\***-E03S****, Rated Power 0.37kW

**AP13V14\*\***-E05S****, Rated Power 0.5kW

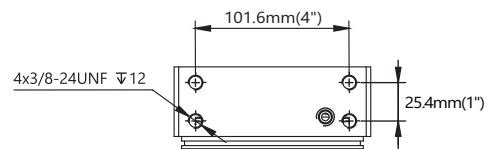
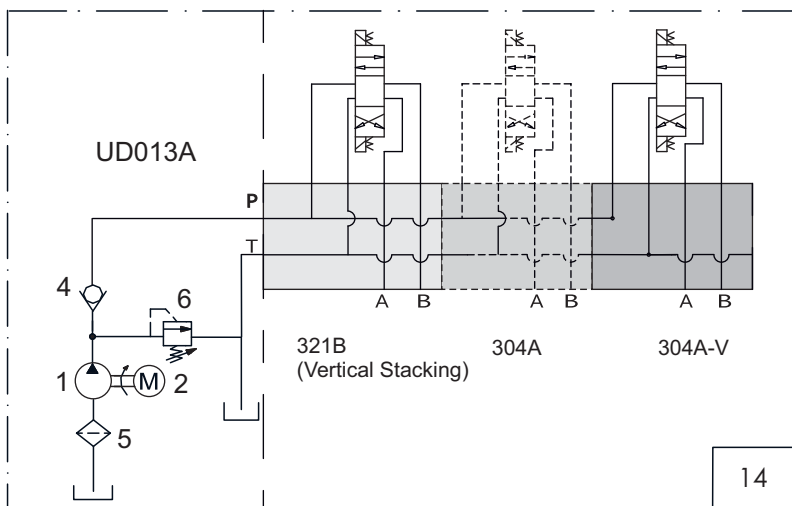
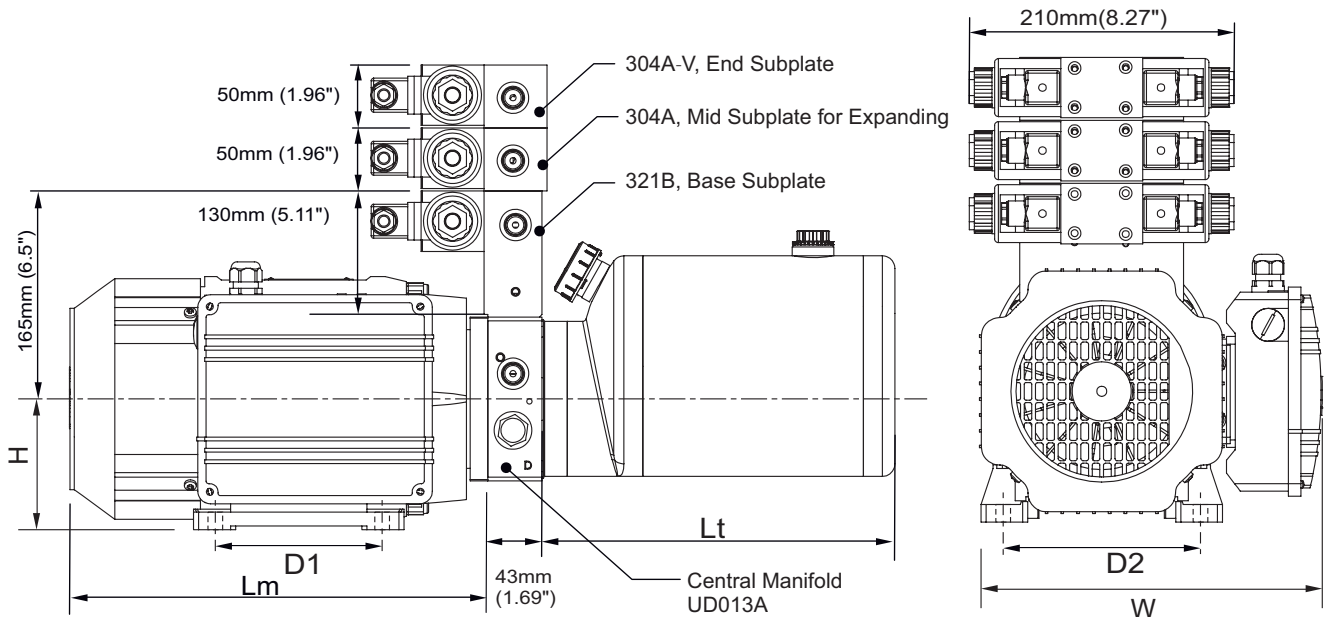
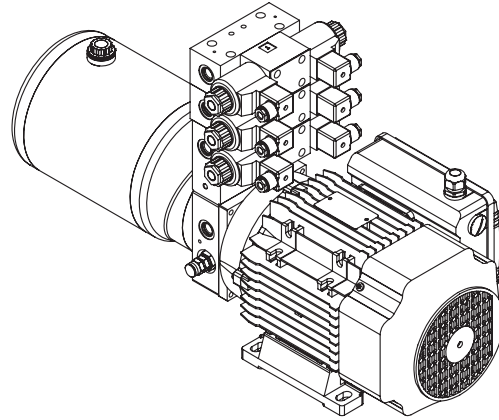
**AP13V14\*\***-E07S****, Rated Power 0.75kW

**AP13V14\*\***-E11S****, Rated Power 1.1kW

**AP13V14\*\***-E15S****, Rated Power 1.5kW

**AP13V14\*\***-E22S****, Rated Power 2.2kW

**AP13V14\*\***-E30S****, Rated Power 3.0kW



Bottom Mounting Hole  
on Main Manifold

**LS** type tank showed in following drawings. The dimension "Lt" of LS tank or other optional tanks, please refer to page N1.

# Function Type 14 - Double Acting

Expandable with Cetop (D03) Directional Valve

# AP13

Series

AC  
Hydraulic Power Unit

Vertical Stacking

with Three Phase Motor

## AP13V14\*\*-E

**AP13V14\*\*-E03T**, Rated Power 0.37kW

**AP13V14\*\*-E05T**, Rated Power 0.5kW

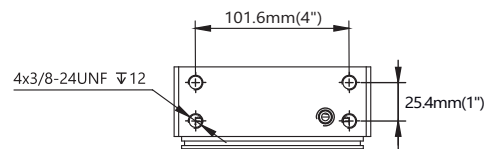
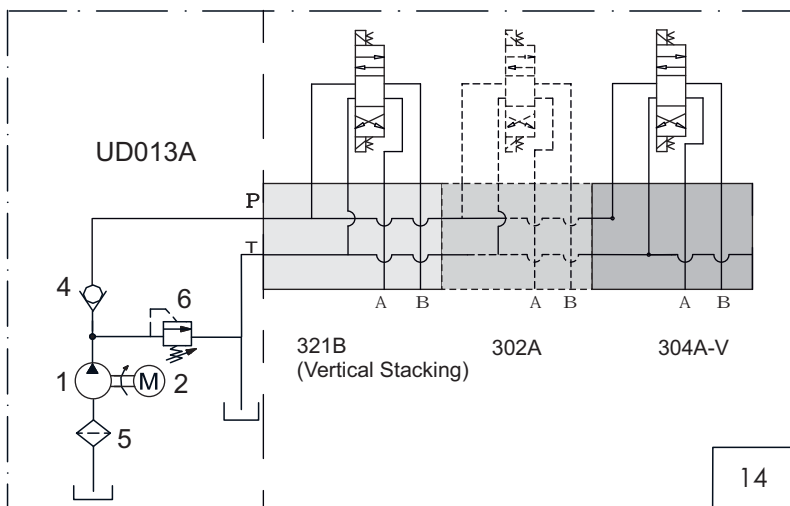
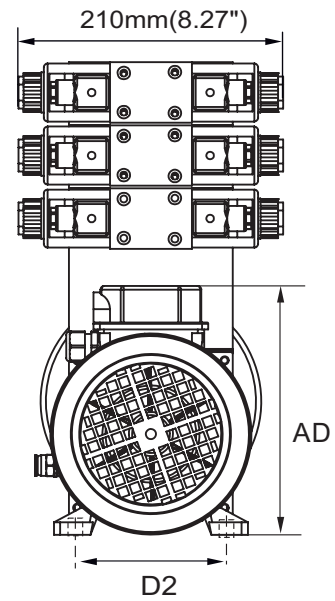
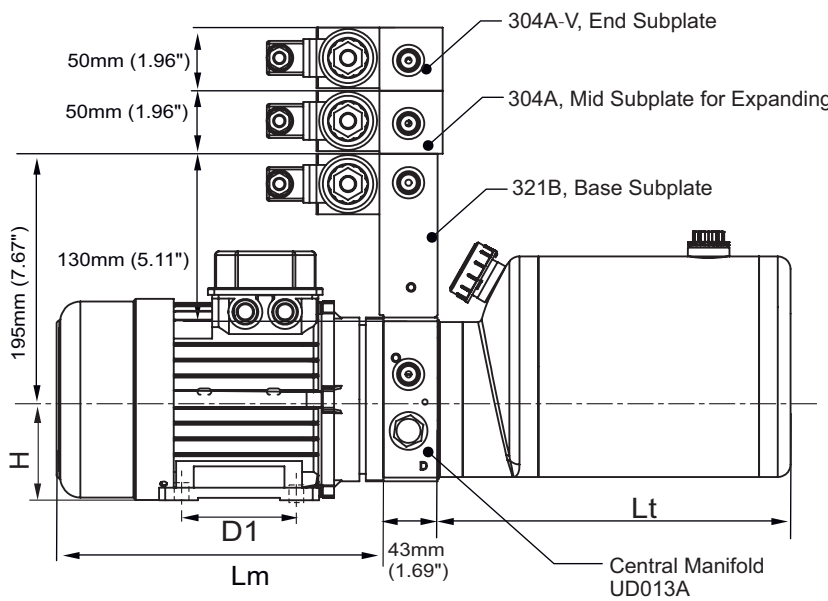
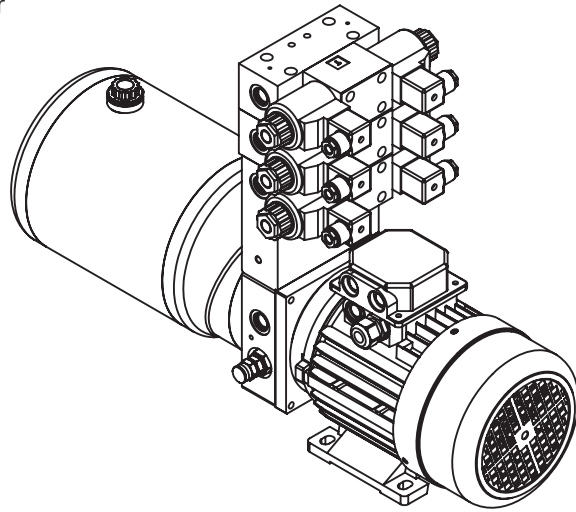
**AP13V14\*\*-E07T**, Rated Power 0.75kW

**AP13V14\*\*-E11T**, Rated Power 1.1kW

**AP13V14\*\*-E15T**, Rated Power 1.5kW

**AP13V14\*\*-E22T**, Rated Power 2.2kW

**AP13V14\*\*-E30T**, Rated Power 3.0kW



Bottom Mounting Hole on Main Manifold

**LS** type tank showed in following drawings. The dimension "Lt" of LS tank or other optional tanks, please refer to page N1.

# Function Type 14 - Double Acting

Expandable with Cetop (D03) Directional Valve

# AP13

Series

AC  
Hydraulic Power Unit

Horizontal Stacking

with Single Phase Motor

## AP13H14\*\*<sup>-E</sup>

**AP13H14\*\*<sup>-E03S</sup>**, Rated Power 0.37kW

**AP13H14\*\*<sup>-E05S</sup>**, Rated Power 0.5kW

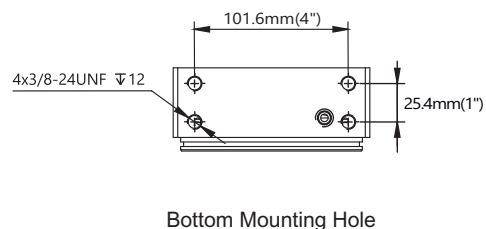
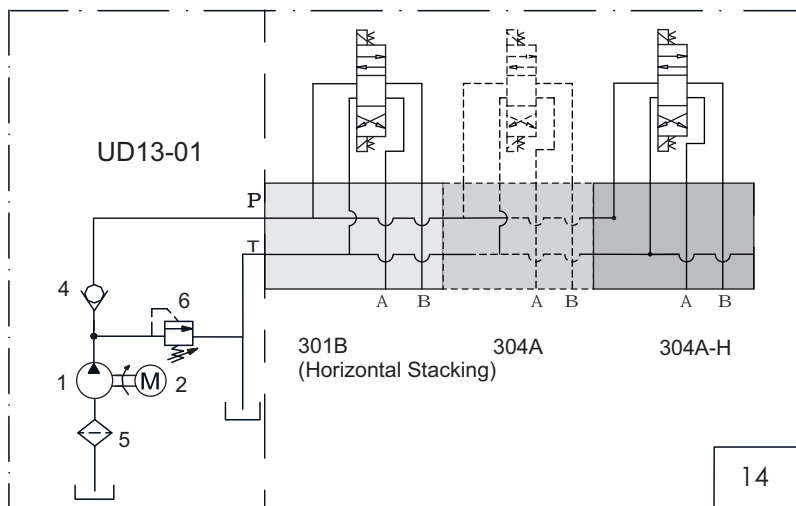
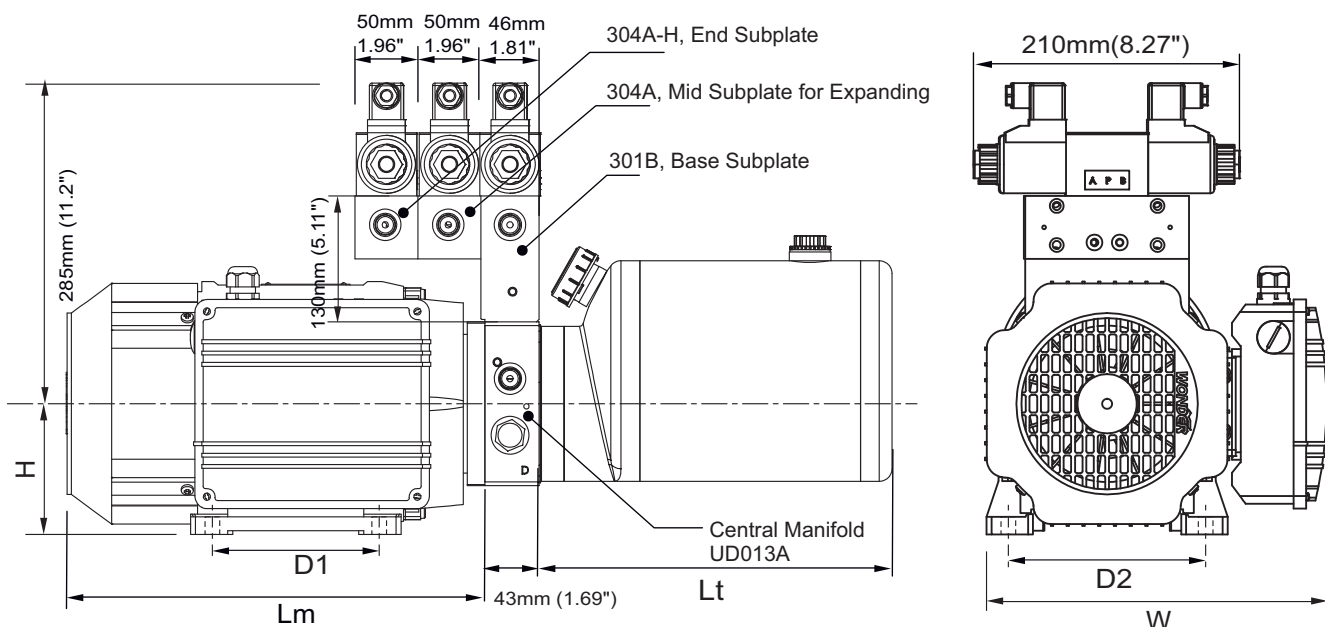
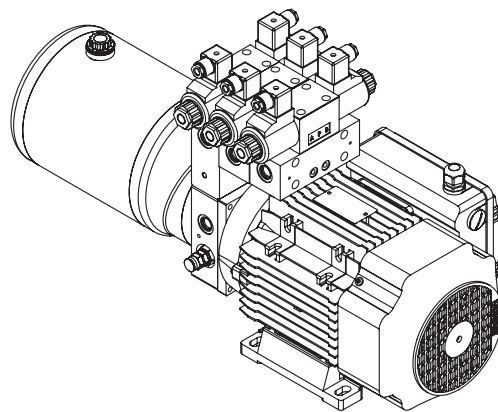
**AP13H14\*\*<sup>-E07S</sup>**, Rated Power 0.75kW

**AP13H14\*\*<sup>-E11S</sup>**, Rated Power 1.1kW

**AP13H14\*\*<sup>-E15S</sup>**, Rated Power 1.5kW

**AP13H14\*\*<sup>-E22S</sup>**, Rated Power 2.2kW

**AP13H14\*\*<sup>-E30S</sup>**, Rated Power 3.0kW



# Function Type 14 - Double Acting

Expandable with Cetop (D03) Directional Valve

# AP13

Series

AC  
Hydraulic Power Unit

Horizontal Stacking

with Three Phase Motor

## AP13H14\*\*<sup>-E</sup>

**AP13H14\*\*<sup>-E03T</sup>**, Rated Power 0.37kW

**AP13H14\*\*<sup>-E05T</sup>**, Rated Power 0.5kW

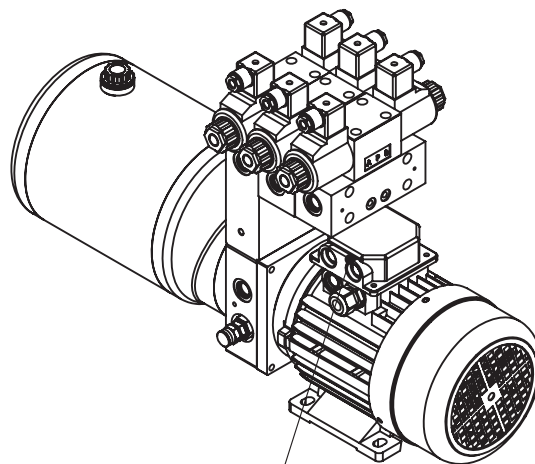
**AP13H14\*\*<sup>-E07T</sup>**, Rated Power 0.75kW

**AP13H14\*\*<sup>-E11T</sup>**, Rated Power 1.1kW

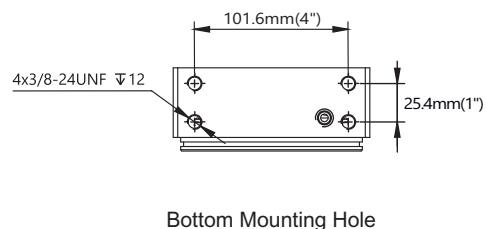
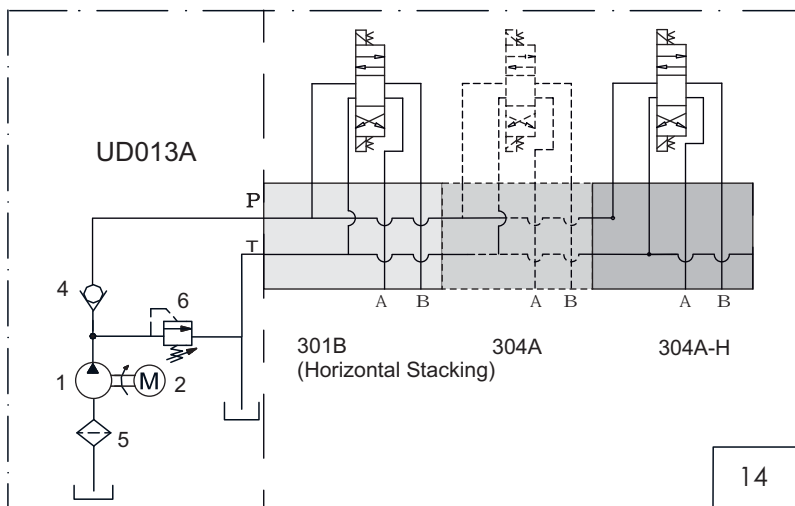
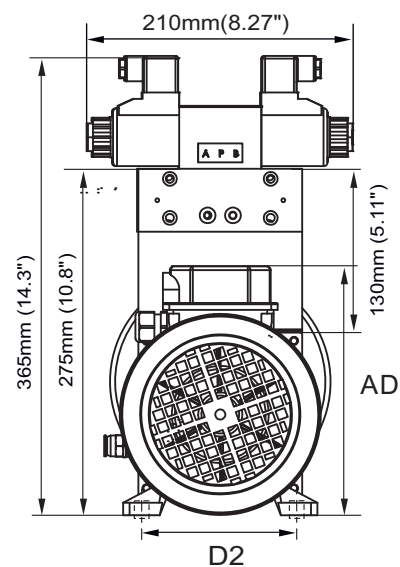
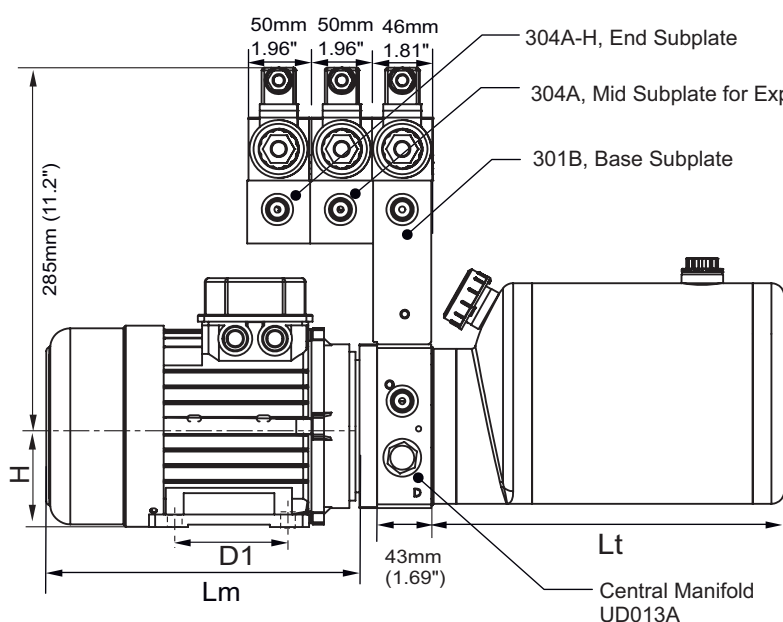
**AP13H14\*\*<sup>-E15T</sup>**, Rated Power 1.5kW

**AP13H14\*\*<sup>-E22T</sup>**, Rated Power 2.2kW

**AP13H14\*\*<sup>-E30T</sup>**, Rated Power 3.0kW



Three Phase Motor



# Function Type 14 - Double Acting

Expandable with Cetop (D03) Directional Valve

# AP13 Series

AC  
Hydraulic Power Unit

## AP13\*14\*\*-E

AC Hydraulic Power unit with **IEC** Motor Installed

	Rated Power	Frame Size	Voltage & Phase	Rate Pressure	Max Pressure	Flow Rate	AD	H	W	Lm	D1	D2
	kW		(V)	(Mpa/PSI)		(lpm/gpm)	(mm/inch)					
AP13*14**-E03S	0.37kW	71	220V, S. Phase	18Mpa	20Mpa	0.68LPM	/	71mm 2.79"	177mm	208mm	90mm	112mm
				2600psi	2900psi	0.17GPM	/		6.96"	8.18"	3.54"	4.40"
AP13*14**-E03T			380V, T. Phase	20Mpa	22Mpa	0.68LPM	180mm		/	208mm	90mm	112mm
				2900psi	3200psi	0.17GPM	7.08"	/	8.18"	3.54"	4.40"	
AP13*14**-E05S	0.55kW	71	220V, S. Phase	18Mpa	20Mpa	0.98LPM	/	71mm 2.79"	177mm	208mm	90mm	112mm
				2600psi	2900psi	0.25GPM	/		6.96"	8.18"	3.54"	4.40"
AP13*14**-E05T			380V, T. Phase	20Mpa	22Mpa	0.98LPM	180mm		/	208mm	90mm	112mm
				2900psi	3200psi	0.25GPM	7.08"	/	8.18"	3.54"	4.40"	
AP13*14**-E07S	0.75kW	80	220V, S. Phase	16Mpa	18Mpa	1.45LPM	/	80mm 3.14"	235mm	268mm	100mm	125mm
				2300psi	2600psi	0.38GPM	/		9.25"	10.55"	3.93"	4.92"
AP13*14**-E07T			380V, T. Phase	18Mpa	20Mpa	1.45LPM	192mm		/	268mm	100mm	125mm
				2600psi	2900psi	0.38GPM	7.55"	/	10.55"	3.93"	4.92"	
AP13*14**-E11S	1.1kW	80	220V, S. Phase	18Mpa	20Mpa	2LPM	/	80mm 3.14"	235mm	268mm	100mm	125mm
				2600psi	2900psi	0.52GPM	/		9.25"	10.55"	3.93"	4.92"
AP13*14**-E11T			380V, T. Phase	20Mpa	22Mpa	2LPM	192mm		/	268mm	100mm	125mm
				2900psi	3200psi	0.52GPM	7.55"	/	10.55"	3.93"	4.92"	
AP13*14**-E15S	1.5kW	90	220V, S. Phase	16Mpa	18Mpa	2.9LPM	/	90mm 3.54"	254mm	287mm	125mm	140mm
				2300psi	2600psi	0.77GPM	/		10"	11.29"	4.92"	5.51"
AP13*14**-E15T			380V, T. Phase	18Mpa	20Mpa	2.9LPM	210mm		/	287mm	125mm	140mm
				2600psi	2900psi	0.77GPM	8.26"	/	11.29"	4.92"	5.51"	
AP13*14**-E22S	2.2kW	90	220V, S. Phase	18Mpa	20Mpa	3.8LPM	/	90mm 3.54"	254mm	287mm	125mm	140mm
				2600psi	2900psi	1.01GPM	/		10"	11.29"	4.92"	5.51"
AP13*14**-E22T			380V, T. Phase	20Mpa	22Mpa	3.8LPM	210mm		/	287mm	125mm	140mm
				2900psi	3200psi	1.01GPM	8.26"	/	11.29"	4.92"	5.51"	
AP13*14**-E30S	3.0kW	100	220V, S. Phase	16Mpa	18Mpa	5.7LPM	/	100mm 3.93"	274mm	338mm	140mm	160mm
				2300psi	2600psi	1.53GPM	/		10.78"	13.30"	5.51"	6.29"
AP13*14**-E30T			380V,T,Phase	18Mpa	20Mpa	5.7LPM	239mm		/	338mm	140mm	160mm
				2600psi	2900psi	1.53GPM	9.4"	/	13.30"	5.51"	6.29"	
AP13*14**-E40T	4.0KW	100	380V,T,Phase	17Mpa	20Mpa	7.6LPM	239mm	100mm	/	338mm	140mm	160mm
				2450psi	2900psi	2GPM	9.4"	3.93	/	13.30"	5.51"	6.29"

# Function Type 21 - Double Acting

Expandable with Cetop (D03) Directional Valve

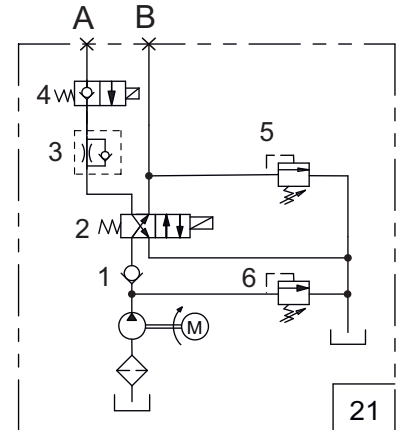
# AP13

Series

AC  
Hydraulic Power Unit

## AP13M21

- Drive double acting cylinder extending and retracting.
- Variety motor power generate different pressure and flow.
- Optional Flow Control Valve (3).  
Return flow at cylinder retracting can be restricted by a optional flow control valve (3) with reverse flow check. The orifice in this valve could be specified according to customer's specification.
- 2-way Solenoid Valve (4).  
You have two option on this 2-way solenoid valve:
  1. No Manual Override (Default).
  2. With Manual Override.

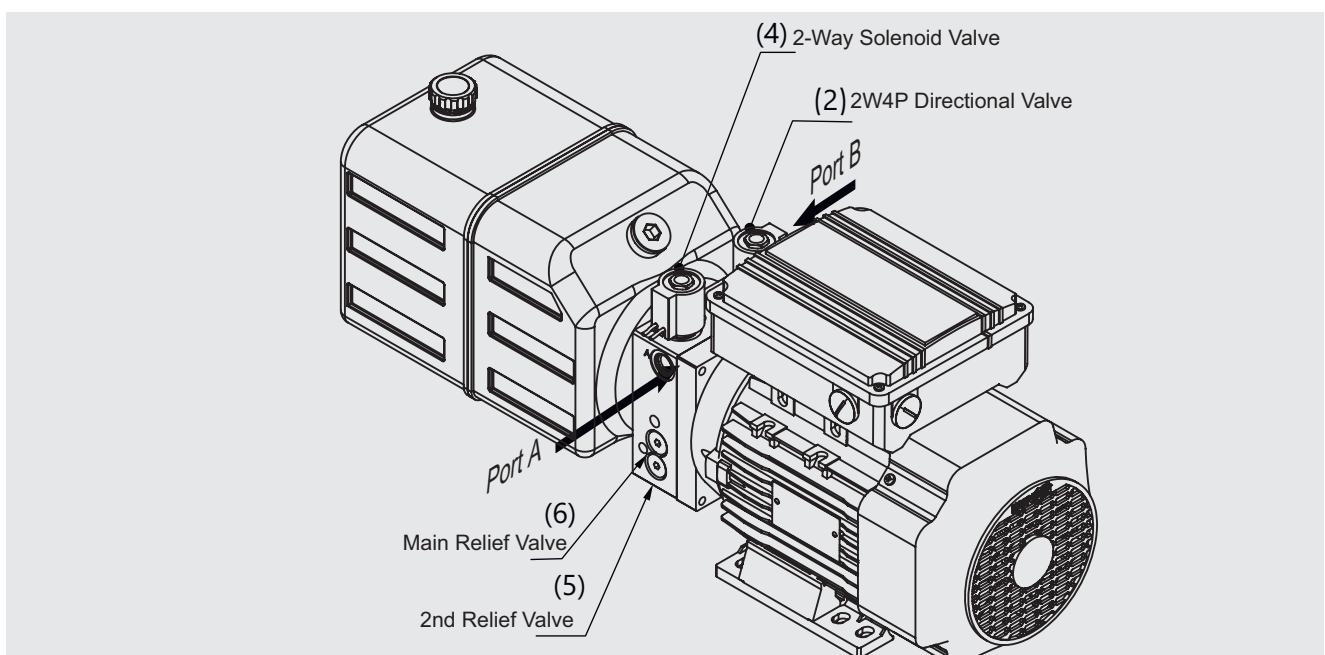


- Port Size: O-ring Boss SAE #6 (9/16-18UNF), on port A and B  
Other port size upon customer's requirement.

- Standard Duty Cycle is S1= 1 minute, S2 15%.  
Please consult us for Longer duty cycle.

- Optional Tanks:  
Series RP, LS, LT, MS, MT, details refer to page N1.

- Controller Options:
  - 1) KCB22, the basic remote control handset.
  - 2) WRB22, economy wireless remote.More details please refer to page FF



# Function Type 21 - Double Acting

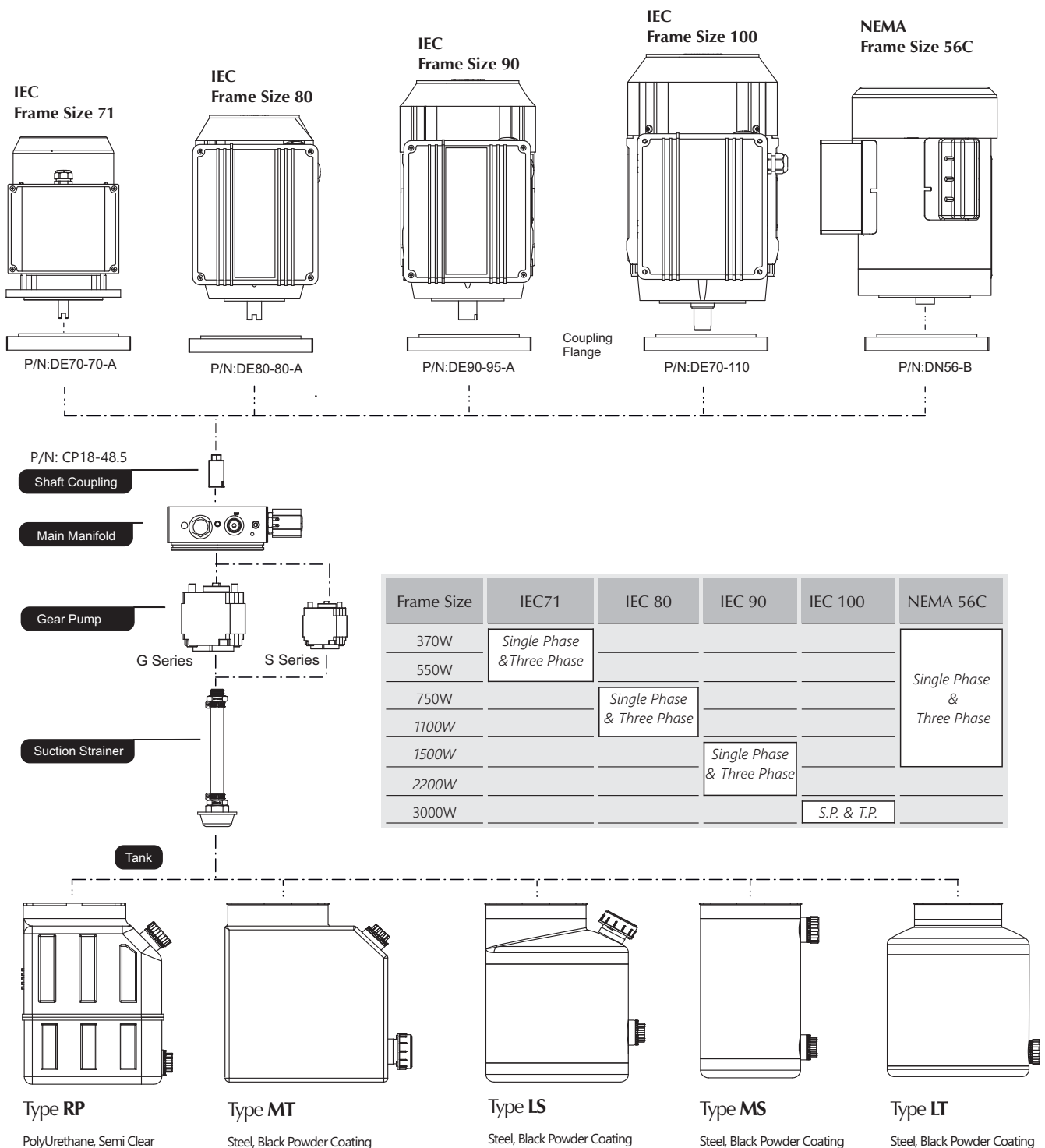
Expandable with Cetop (D03) Directional Valve

# AP13 Series

AC Hydraulic Power Unit

## AP13M21

AC Motor	IEC Standard Motor, 370w-4kw; NEMA Standard Motor, 370W-2.2kW
Main Manifold:	UD021A-01 (Machined Manifold from Aluminum Bar)
Gear Pump:	G Series, S Series (Details refer to page G1-1)
Tank:	Type RP, LS, LT, MS, MT, MR (Details refer to page N1)



# Function Type 21 - Double Acting

Expandable with Cetop (D03) Directional Valve

# AP13

Series

AC  
Hydraulic Power Unit

## AP13M21

**AP13M21-E03**, Rated Power 0.37kW

**AP13M21-E05**, Rated Power 0.5kW

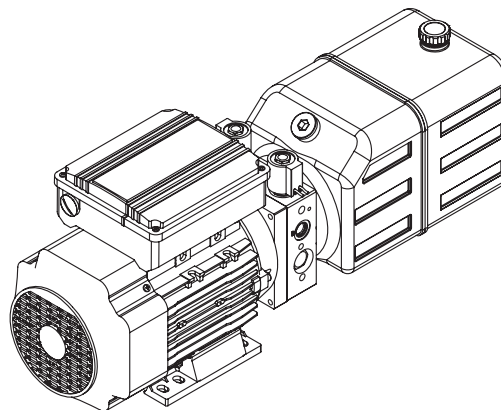
**AP13M21-E07**, Rated Power 0.75kW

**AP13M21-E11**, Rated Power 1.1kW

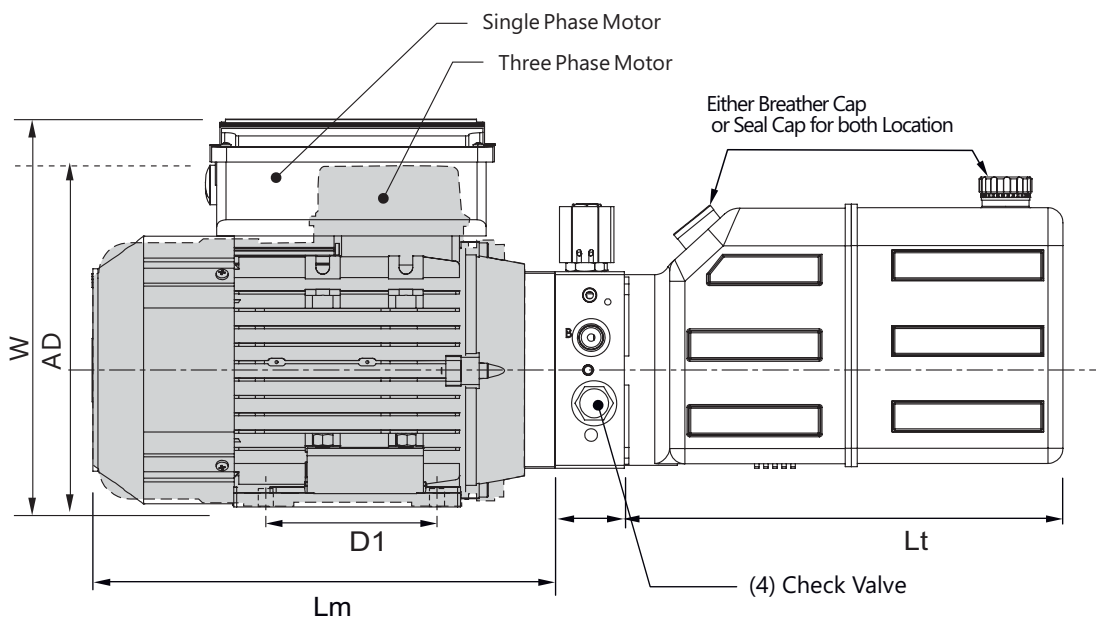
**AP13M21-E15**, Rated Power 1.5kW

**AP13M21-E22**, Rated Power 2.2kW

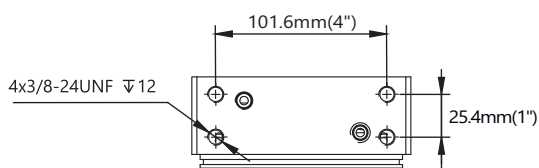
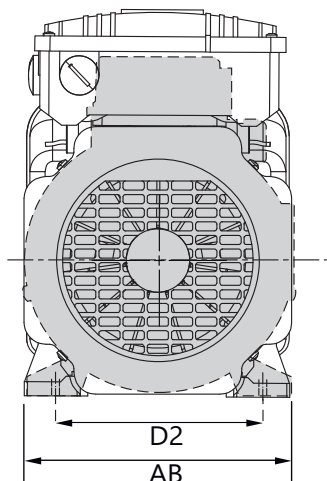
**AP13M21-E30**, Rated Power 3.0kW



## Outline Dimensions



*RP tank showed in following drawings. The dimension "Lt" of RP tank or other optional tanks, please refer to page N1.*



Bottom Mounting Hole on Central Manifold