

ATS-31

Mini Hydraulic Power Unit

Double Acting, Birotation



ATS Series
Miniature AC Hydraulic Power Unit

Features:

- Miniature design, lower profile size than ATP series.
- Oil-immersed AC motor built inside the housing.
- Total enclosure with anodized aluminum housing.

Advantages:

- High protection grade, up to IP68
- Low Noise.
- Miniature size could be fit in very small space.
- All-weather capability, working stable even in worst conditions.

Functions

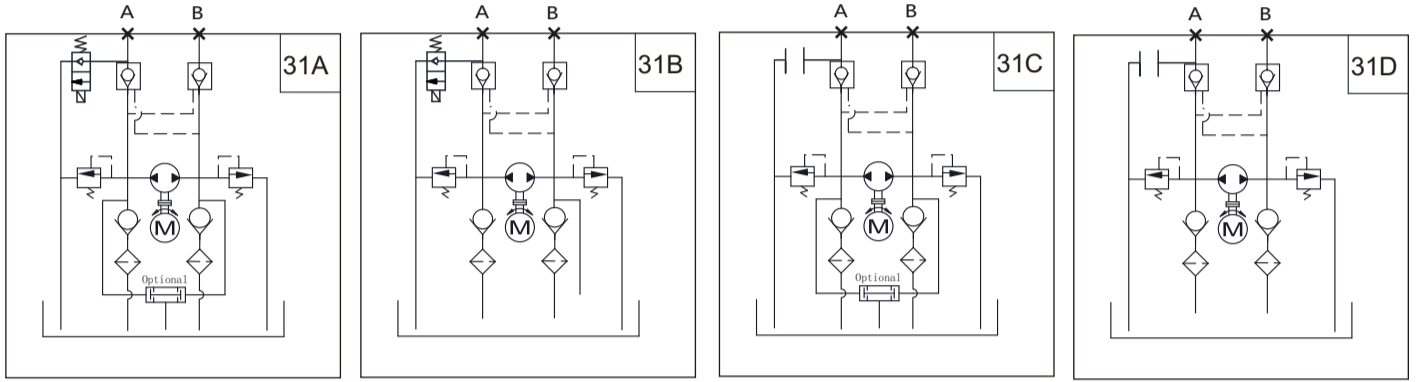
- Driving double acting hydraulic cylinder extending or retracting.
- Choose the appropriate pump size according to the load of your application.
- Port P and T, standard options: 1. M12X1.5, 2. SAE4#(7/16X20UNF). For other port size, please consult us.

- Available Motor Size

1. Rated Power 350W, AC 220V, 50Hz, Single Phase ;
2. Rated Power 350W, AC 380V, 50Hz, Three Phase

- Duty Cycle:

Intermittent running, S2=30s, S3 15% ED. It may be varies with loads, please consult us.



Pump Displacement vs. Flow rate & Max Pressure

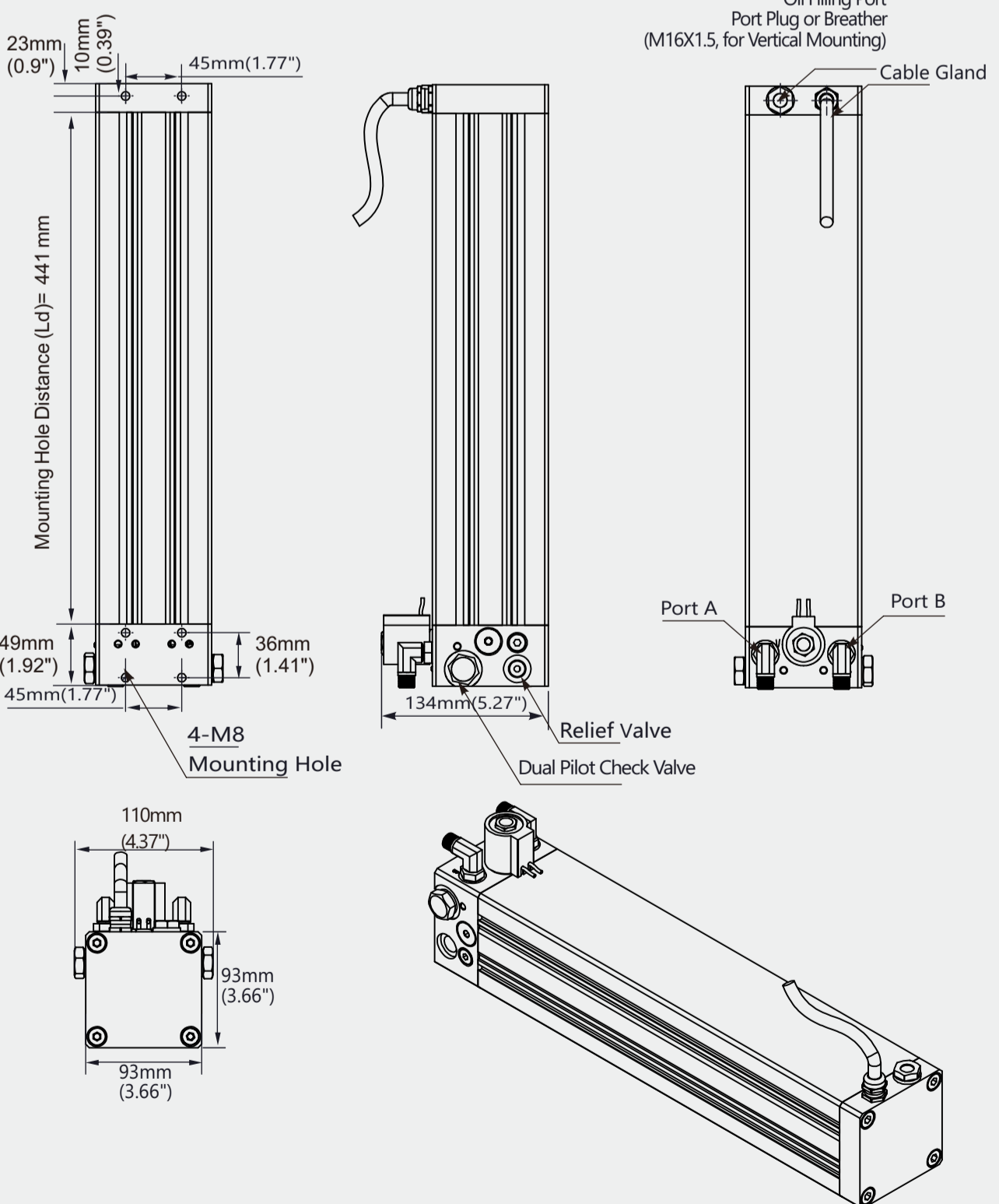
Rated Motor Power 350W

Pump Code	DS019	DS026	DS038	DS050	DS063	DS075	DS100
Displacement	Cm3/r	0.19	0.26	0.38	0.50	0.63	1.00
	In3/r	0.012	0.016	0.023	0.031	0.038	0.061
Flow Rate	LPM	0.48	0.65	0.9	1.2	1.5	2.25
	GPM	0.11	0.15	0.2	0.27	0.34	0.51
Rated Pressure	Bar	210	210	210	160	130	100
	PSI	3045	3045	3045	2300	1885	1450

Ordering Code



- (1) ATS Series - Mini AC Hydraulic Power Unit
- (2) Function Type (Hydraulic Circuit Code) : 31A/31B/31C/31D
- (3) Motor Type : A - Oil Immersed AC Motor.
- (4) Rated Power : 03 - 0.350kW (only)
- (5) Phase of AC Motor : S - Single Phase, T - Three Phase
- (6) Voltage : 1- 110V, 2 - 220/230V, 3 - 380/415V, 4 - 460V
- (7) Body Length (Tank length): 350 - 350mm Code for Oil Tank
- (9) Design Number, specified by Mocen.



Tank	Length	Volume
5.9" (150mm)	0.08US Gal (0.3L)	
7.9" (200mm)	0.13US Gal (0.5L)	
9.84" (250mm)	0.19US Gal (0.7L)	
11.75" (300mm)	0.24US Gal (0.9L)	
13.75" (350mm)	0.29US Gal (1.1L)	