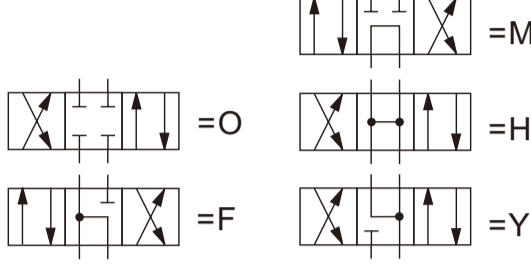
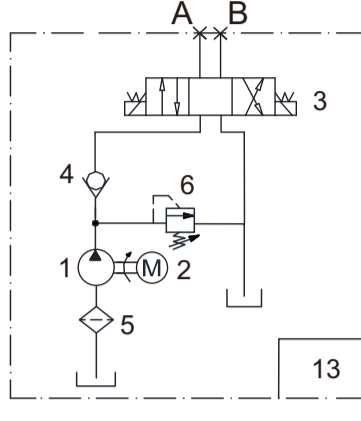


DP09M13-3*-*

Micro DC Hydraulic Power Unit

- Driving double acting hydraulic cylinder extending and retracting.
- Choose the appropriate power and pump size according to the load of your application.
- Options for 3W4P directional valve(3):
 - 1) Solenoid Valve,
 - 2) Solenoid Valve with Manual Override
- Duty cycle is generally S2-2 minute, S3 - 15%, It may be varies with loads , please consult us.
- Port A and B, standard options:
 1. G1/4 (BSPP 1/4"),
 2. SAE#4(7/16-20UNF),
 To custom-built other port size, please consult us.
- Flexible Tank Length



DP09M13-301A-*(150W, DC12V) | DP09M13-301B-*(150W, DC24V)

Pump Displacement	0.26 cc	0.38 cc	0.50 cc
Rate Pressure	20MPa(2900PSI)	14MPa (2000PSI)	10MPa(1450PSI)
Flow Rate	0.47LPM(0.12GPM)	0.68LPM(0.18GPM)	0.9LPM(0.23GPM)
Max Working Pressure	21MPa(3050PSI)	18MPa(2600PSI)	13MPa(1900PSI)
Flow rate @ Max Pressure	0.23LPM(0.06GPM)	0.4LPM(0.1GPM)	0.54LPM(0.14GPM)

DP09M13-303A-*(350W DC12V) | DP09M13-303B-*(350W DC24V)

Pump Displacement	0.5cc	0.65cc	0.75cc
Rate Pressure	16MPa (2300PSI)	13MPa(1900PSI)	11MPa(1600PSI)
Flow Rate	0.9LPM(0.23GPM)	1.1LPM(0.29GPM)	1.2LPM(0.31GPM)
Max Working Pressure	21MPa(3050PSI)	16MPa(2300PSI)	15MPa(2200PSI)
Flow rate @ Max Pressure	0.5LPM(0.13GPM)	0.7LPM(0.18GPM)	0.8LPM(0.21GPM)

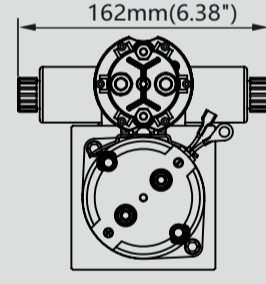
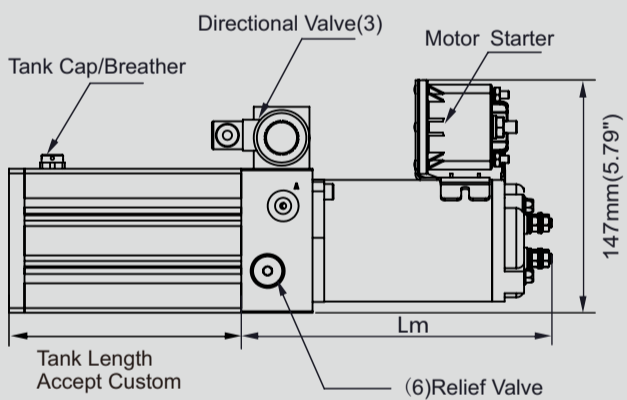
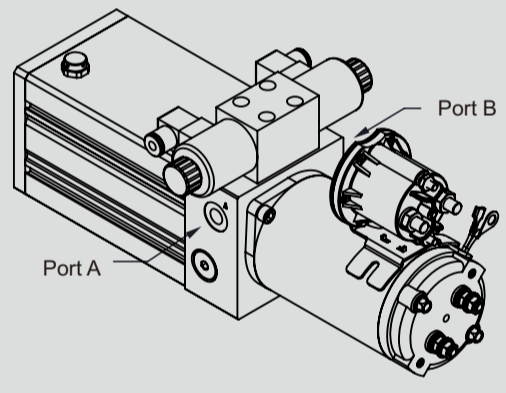
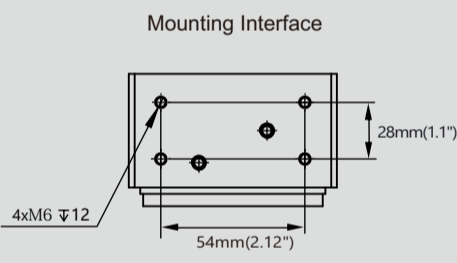
DP09M13-305A-*(500W DC12V) | DP09M13-305B-*(500W DC24V)

Pump Displacement	0.65cc	0.75cc	0.88cc
Rate Pressure	18MPa (2600PSI)	15MPa (2200PSI)	12MPa (1700PSI)
Flow Rate	1.3LPM (0.34GPM)	1.5LPM (0.4GPM)	2LPM (0.52GPM)
Max Working Pressure	21MPa (3050PSI)	17MPa (2500PSI)	15MPa (2200PSI)
Flow rate @ Max Pressure	0.9LPM (0.23GPM)	1.2LPM (0.31GPM)	1.6LPM (0.42GPM)

DP09M13-308A-*(800W DC12V) | DP09M13-308B-*(800W DC24V)

Pump Displacement	0.75cc	0.88cc	1.0cc	1.25cc
Rate Pressure	18MPa (2900PSI)	13MPa (1900PSI)	11MPa (1600PSI)	9MPa (1300PSI)
Flow Rate	1.8LPM (0.4GPM)	2.3LPM (0.52GPM)	2.6LPM (0.68GPM)	3.2LPM (0.84LPM)
Max Working Pressure	21MPa (3050PSI)	16MPa (2300PSI)	14MPa (2000PSI)	11MPa (1600PSI)
Flow rate @ Max Pressure	1.1LPM (0.29GPM)	1.8LPM (0.40GPM)	2.0LPM (0.52GPM)	2.6LPM (0.68GPM)

Key Dimentions



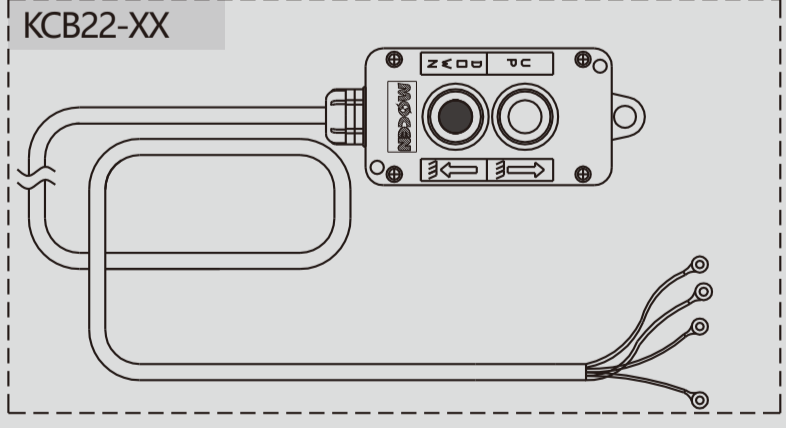
Tank	Length	Useable Volume
	5.9" / 150mm	0.08US Gal / 0.3L
	7.9" / 200mm	0.13US Gal / 0.5L
	9.84" / 250mm	0.19US Gal / 0.7L
	11.75" / 300mm	0.24US Gal / 0.9L
	13.75" / 350mm	0.29US Gal / 1.1L

	DC Motor	Voltage	Power Rate	Dim"Lm"	Shaft Coupling
DP09M13-301	301A(301B)	12V(24V)	150W	4.25"(108mm)	DP16-36.5
DP09M13-303	303A(303B)	12V(24V)	350W	5.39" (137mm)	
DP09M13-305	305A (305B)	12V (24V)	500W	5.39" (137mm)	
DP09M13-308	308A (308B)	12V (24V)	800W	5.39" (137mm)	

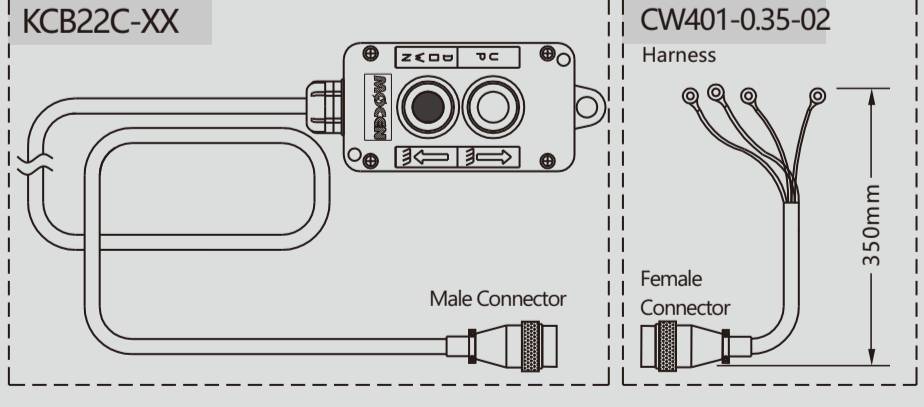
Control Handset (Optional)



Basic



With Quick Disconnector



Wiring Diagram

