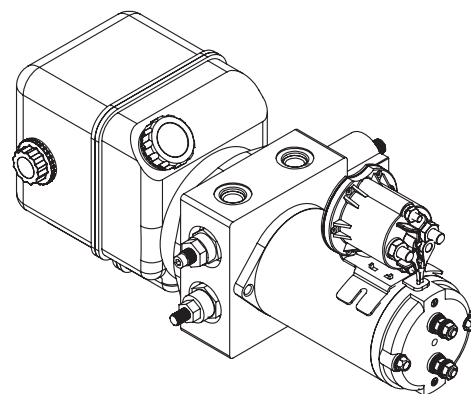
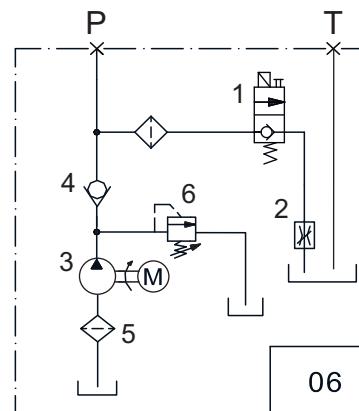


## DP11M06-3

Group 01D/03D/05D/08D (150W to 800W)

- Driving single acting hydraulic cylinder extending or retracting.
- Choose the appropriate power and pump size according to the load of your application. Please refer to Page A-01 or consult us.
- Options for controlling the Return Flow (down speed) by flow control valve (2):
  1. Non-adjustable.
  2. Non-adjustable, with pressure compensate .
  3. Adjustable.
- Three options for 2-way valve(1), more details refer to page DD.
  1. Manual Valve.
  2. Solenoid Valve.
  3. Solenoid Valve with Manual Override
- Duty cycle is generally S2-1 minute, S3 - 15%.  
It may be varies with loads , please consult us.
- Port P and T, standard options:
  1. G1/4 (BSPP 1/4")
  2. SAE#6(9/16-18UNF),
  3. M14X1.5
 To custom-built other port size, please consult us.



- Controller Options:
  - 1) KCB22, the basic remote control handset.
  - 2) WRB22, economy wireless remote

Coding of  
Model Number

**DP11** **M** **06** - **3** **05** **A** - **RS** - **01**

(1) (2) (3) (4) (5) (6) (7) (8)

- (1) DP11 Series - Mini DC Hydraulic Power Unit
- (2) Type of Central Manifold: C - Machined Manifold from Aluminum Bar  
M - Aluminum Die Casting Manifold
- (3) Function Type ( Hydraulic Circuit Code ) : 01, 06, 31, 21, 13, 14...
- (4) Motor Size : 3- 3" Motor, 4- 4" Motor, 5 -5" Motor
- (5) Rated Power of DC Motor: 3" Motor : 01 - 150W, 03 - 350W, 05 - 500W, 08 - 800W
- (6) Voltage of DC Motor
- (7) Code for Oil Tank
- (8) Design Number, specified by Mocen.

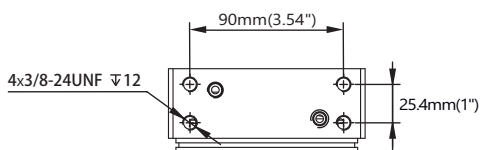
**DP11M06-3**

	Motor P/N	Voltage	Rated Power	Dim "Lm"	Shaft Coupling
DP11M06-301	301A(301B)	12V(24V)	150W	4.25"(108mm)	DP18-50
DP11M06-303	303A(303B)	12V(24V)	350W	5.39" (137mm)	
DP M -	305A (305B)	12V (24V)	500W	5.39" (137mm)	
DP M -	308A (308B)	12V (24V)	800W	5.39" (137mm)	

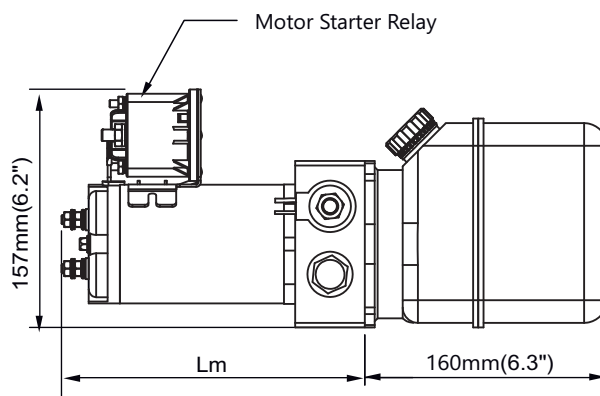
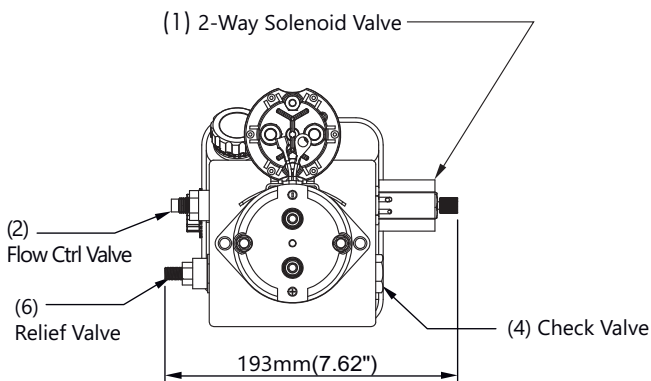
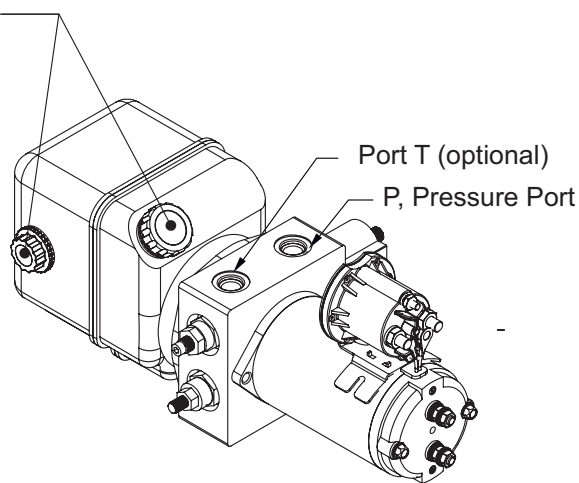
**Key Components**

DC Motor :	3 Series (150w-800w)
Main Manifold:	??U31-03 (Machined Aluminum Manifold)
Gear Pump:	S Series (Details refer to page S02)
Tank:	Type RS , 1.5L (Details refer to page T01)

Either Breather Cap or Seal Cap for both Location



Bottom Mounting Hole



# Chart of Flow Rated vs. Pressure

**DP11**  
Series

DC  
Hydraulic Power Unit

## Group 01D, 03D, 05D and 08D

\*Grouped by Motor Rated Power

### Group 01D - Rated Power 150W (DC12V and 24V)

Pump Displacement	0.26cc	0.38cc	0.50cc
<i>Rated Pressure</i>	20MPa(2900PSI)	14MPa (2000PSI)	10MPa(1450PSI)
<i>Flow Rate @ Rated Pressure</i>	0.47LPM(0.12GPM)	0.68LPM(0.18GPM)	0.9LPM(0.23GPM)
<i>Max Pressure</i>	21MPa(3050PSI)	18MPa(2600PSI)	13MPa(1900PSI)
<i>Flow Rate @ Max. Pressure</i>	0.23LPM(0.06GPM)	0.4LPM(0.1GPM)	0.54LPM(0.14GPM)

### Group 03D - Rated Power 350kW (DC12V and 24V)

Pump Displacement	0.5cc	0.65cc	0.75cc
<i>Rated Pressure</i>	16MPa (2300PSI)	13MPa(1900PSI)	11MPa(1600PSI)
<i>Flow Rate @ Rated Pressure</i>	0.9LPM(0.23GPM)	1.1LPM(0.29GPM)	1.2LPM(0.31GPM)
<i>Max Pressure</i>	21MPa(3050PSI)	16MPa(2300PSI)	15MPa(2200PSI)
<i>Flow Rate @ Max. Pressure</i>	0.5LPM(0.13GPM)	0.7LPM(0.18GPM)	0.8LPM(0.21GPM)

### Group 05D - Rated Power 500W (DC12V and 24V)

Pump Displacement	0.65cc	0.75cc	0.88cc
<i>Rated Pressure</i>	18MPa (2600PSI)	15MPa (2200PSI)	12MPa (1700PSI)
<i>Flow Rate @ Rated Pressure</i>	1.3LPM (0.34GPM)	1.5LPM (0.4GPM)	2LPM (0.52GPM)
<i>Max Pressure</i>	21MPa (3050PSI)	17MPa (2500PSI)	15MPa (2200PSI)
<i>Flow Rate @ Max. Pressure</i>	0.9LPM (0.23GPM)	1.2LPM (0.31GPM)	1.6LPM (0.42GPM)

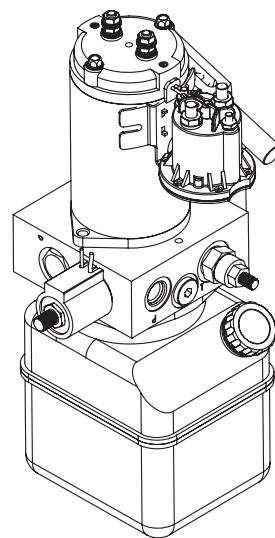
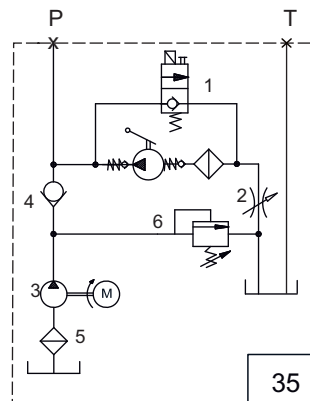
### Group 08D - Rated Power 800W (DC12V and 24V)

Pump Displacement	0.75cc	0.88cc	1.0cc	1.25cc
<i>Rated Pressure</i>	18MPa (2900PSI)	13MPa (1900PSI)	11MPa (1600PSI)	9MPa (1300PSI)
<i>Flow Rate @ Rated Pressure</i>	1.8LPM (0.4GPM)	2.3LPM (0.52GPM)	2.6LPM (0.68GPM)	3.2LPM (0.84LPM)
<i>Max Pressure</i>	21MPa (3050PSI)	16MPa (2300PSI)	14MPa (2000PSI)	11MPa (1600PSI)
<i>Flow Rate @ Max. Pressure</i>	1.1LPM (0.29GPM)	1.8LPM (0.40GPM)	2.0LPM (0.52GPM)	2.6LPM (0.68GPM)

## DP11M35-3

Group 01D/03D/05D/08D (150W to 800W)

- Driving single acting hydraulic cylinder extending or retracting.
- Choose the appropriate power and pump size according to the load of your application. Please refer to Page A-01 or consult us.
- Options for controlling the Return Flow (down speed) by flow control valve (2):
  1. Fixed orifice, non-adjustable.
  2. Adjustable.
  3. Pressure compensate .
  4. No return flow control.
- Options for 2-way solenoid valve(1):
  1. Solenoid Valve.
  2. Solenoid Valve with Manual Override
- Duty cycle is generally S2-1 minute, S3 - 15%.  
It may be varies with loads , please consult us.
- Port P and T, standard options:
  1. G1/4 (BSPP 1/4")
  2. SAE#6 (9/16-18UNF),
  3. M14 X1.5
 To custom-built other port size, please consult us.
- Controller Options:
  - 1) KCB21, the basic remote control handset.
  - 2) WRB21, economy wireless remote



Coding of  
Model Number

**DP11** **M** **35** - **3** **05** **A** - **RS** - **01**  
 (1) (2) (3) (4) (5) (6) (7) (8)

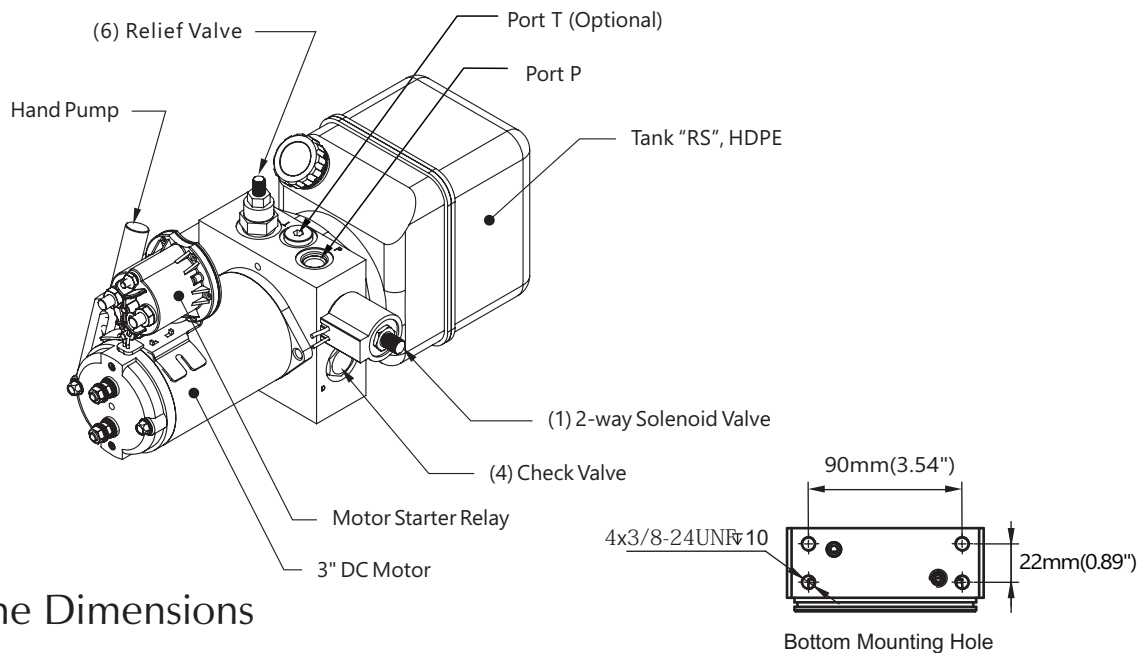
- (1) DP11 Series - Mini DC Hydraulic Power Unit
- (2) Type of Central Manifold: C - Machined Manifold from Aluminum Bar  
M - Aluminum Die Casting Manifold
- (3) Function Type ( Hydraulic Circuit Code) : 01, 06, 31, 21, 13, 14...
- (4) Motor Size : 3- 3" Motor, 4- 4" Motor, 5 -5" Motor
- (5) Rated Power of DC Motor: 3" Motor : 01 - 150W, 03 - 350W, 05 - 500W, 08 - 800W
- (6) Voltage of DC Motor
- (7) Code for Oil Tank
- (8) Design Number, specified by Mocen.

## DP11M06-3

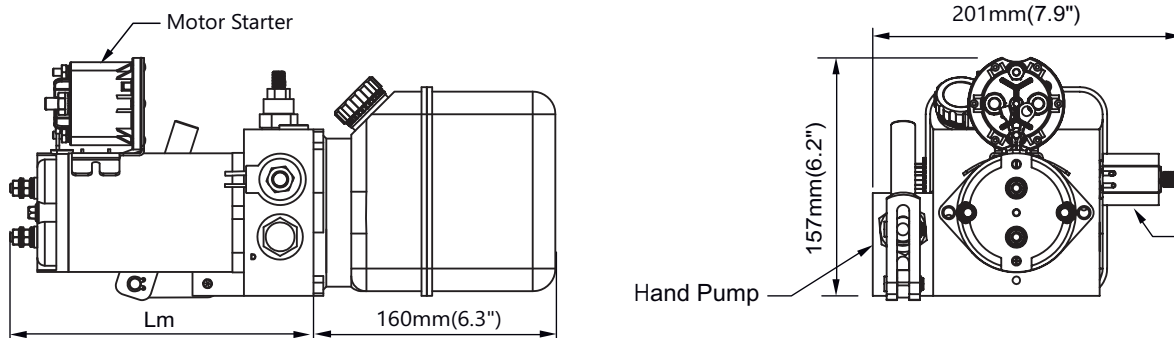
	Motor P/N	Voltage	Rated Power	Dim "Lm"	Shaft Coupling
DP11M06-301	301A(301B)	12V(24V)	150W	4.25"(108mm)	
DP11M06-303	303A(303B)	12V(24V)	350W	5.39" (137mm)	
DP M -	305A (305B)	12V (24V)	500W	5.39" (137mm)	DP18-50
DP M -	308A (308B)	12V (24V)	800W	5.39" (137mm)	

### Key Components

DC Motor :	3 Series (150w-800w)
Main Manifold:	M01-03 (Die Casting Aluminum Manifold)
Gear Pump:	S Series (Details refer to page S02)
Tank:	Type RS (Details refer to page T01)



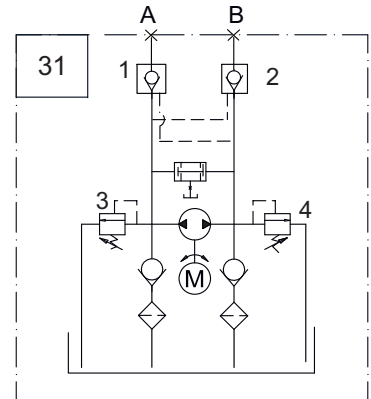
### Outline Dimensions



## DP13M31-3

Group 01D/03D/05D/08D (150W to 800W)

- Bi-rotation Circuit Driving double acting hydraulic cylinder extending and retracting.
- Choose the appropriate power and pump size according to the load of your application. Please refer to Page A-01 or consult us.
- Duty cycle is generally S2-1 minute, S3 - 15%. It may be varies with loads , please consult us.
- Port P and T, standard options:
  1. G1/4 (BSPP 1/4")
  2. SAE#6(9/16-18UNF),
  3. M14 X1.5
 To custom-built other port size, please consult us.
- Controller Options:
  - 1) KCB22, the basic remote control handset.
  - 2) WRB22, economy wireless remote



Coding of  
Model Number

**DP11** **M** **06** - **3** **05** **A** - **RS** - **01**  
 (1) (2) (3) (4) (5) (6) (7) (8)

- (1) DP11 Series - Mini DC Hydraulic Power Unit
- (2) Type of Central Manifold: C - Machined Manifold from Aluminum Bar  
M - Aluminum Die Casting Manifold
- (3) Function Type ( Hydraulic Circuit Code) : 01, 06, 31, 21, 13, 14...
- (4) Motor Size : 3- 3" Motor, 4- 4" Motor, 5 -5" Motor
- (5) Rated Power of DC Motor: 3" Motor : 01 - 150W, 03 - 350W, 05 - 500W, 08 - 800W
- (6) Voltage of DC Motor
- (7) Code for Oil Tank
- (8) Design Number, specified by Mocen.

**DP11M31-3**

	Motor P/N	Voltage	Rated Power	Dim "Lm"	Shaft Coupling
DP11M31-301	301A(301B)	12V(24V)	150W	4.25"(108mm)	
DP11M31-303	303A(303B)	12V(24V)	350W	5.39" (137mm)	
DP M -	305A (305B)	12V (24V)	500W	5.39" (137mm)	DP18-50
DP M -	308A (308B)	12V (24V)	800W	5.39" (137mm)	

**Key Components**

- DC Motor : *3 Series (150w-800w)*
- Main Manifold: *UX-004 (Machined Manifold)*
- Gear Pump: *DS Series (Details refer to page S02)*
- Tank: *Type RS (Details refer to page T01)*

