

Function Type 14 - Double Acting

Expandable Circuit with Cetop3 (D03) Directional Valve

DP13
Series

DC
Hydraulic Power Unit

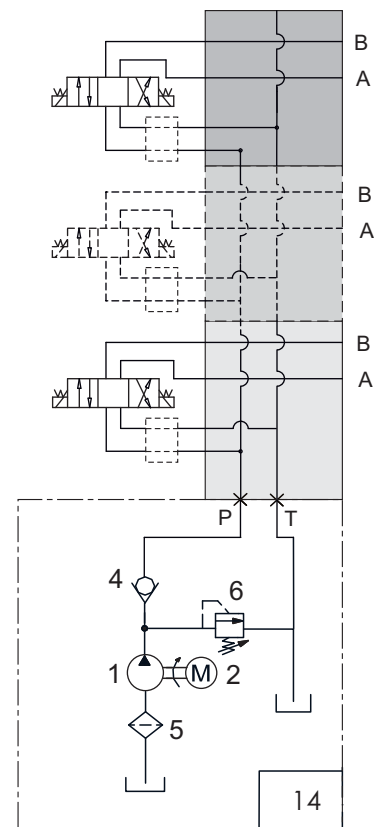
DP13V14 & DP13H14

Group 16D/22D/25D/28D/30D/40D (1.6kW to 4KW)

- Driving double acting hydraulic cylinder extending and retracting.
- Choose the appropriate power and pump size according to the load of your application. Please refer to Page A1-1 or consult us.
- Options for 3W4P directional valve(3), more details refer to page DD.
 1. Solenoid Valve.
 2. Solenoid Valve with Manual Override
- Duty cycle is generally S2-1 minute, S3 - 15%. It may be varies with loads , please consult us.
- Port A and B, standard options:
 1. G3/8 (BSPP 3/8")
 2. SAE#6(9/16-18UNF),
 3. M14To custom-built other port size, please consult us.
- Optional Tanks:
Series RP, LS, LT, MS, MT, details refer to page BB.
- Controller Options:
 - 1) KCB Series, the basic remote control handset, able to control 3 paths.
 - 2) WRV Series, industrial grade wireless remote, able to control 3 paths max.

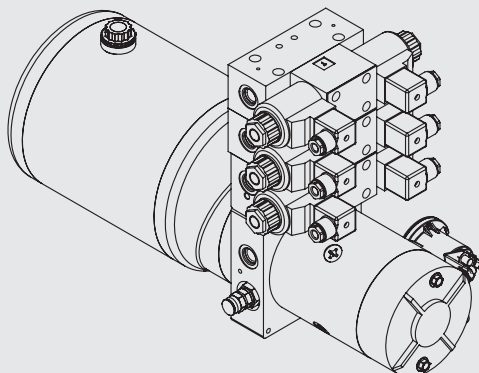
More details please refer to N2-1

Expandable Circuit Design

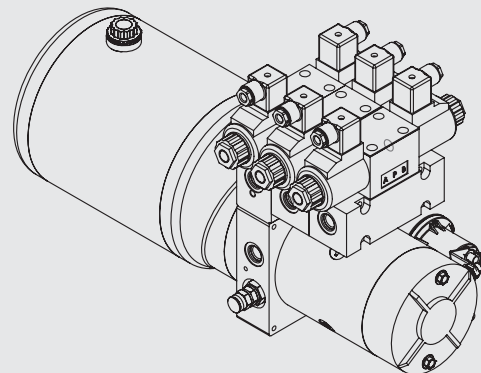


*2 Valves (paths) min, expandable up to 5 Valves (paths).

DP13V14
Vertical Stacking



DP13H14
Horizontal Stacking



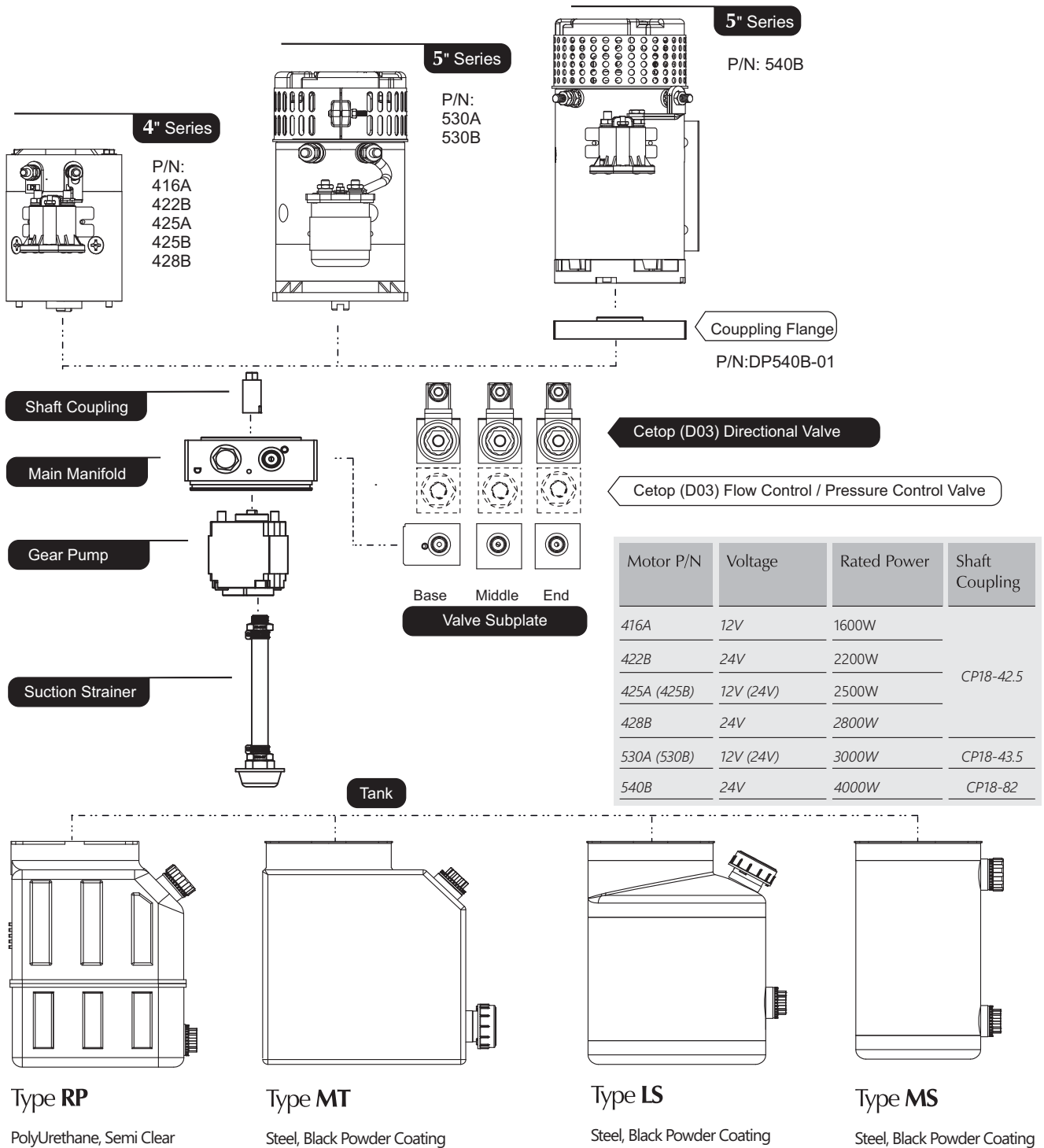
Function Type 14 - Double Acting
 Expandable Circuit with Cetop3 (D03) Directional Valve

DP13
 Series

DC
 Hydraulic Power Unit

DP13V14 & DP13H14

DC Motor	4 Series, 5 Series,(1.6kw-4kw)
Main Manifold	UD013A (Machined Aluminum Manifold)
Gear Pump	G Series (Details refer to page G1-1)
Tank	Type RP, LS, LT, MS, MT, MR (Details refer to page N1)

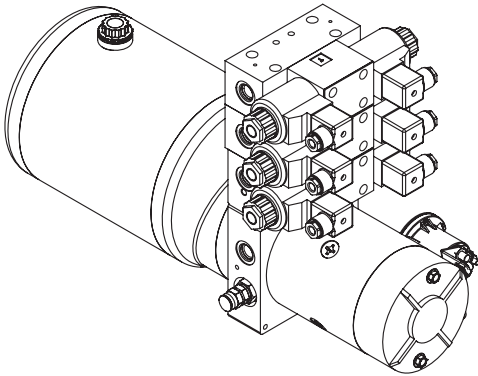


Function Type 14 - Double Acting
 Expandable Circuit with Cetop3 (D03) Directional Valve

DP13
 Series

DC
 Hydraulic Power Unit

Vertical Stacking



DP13V14-4

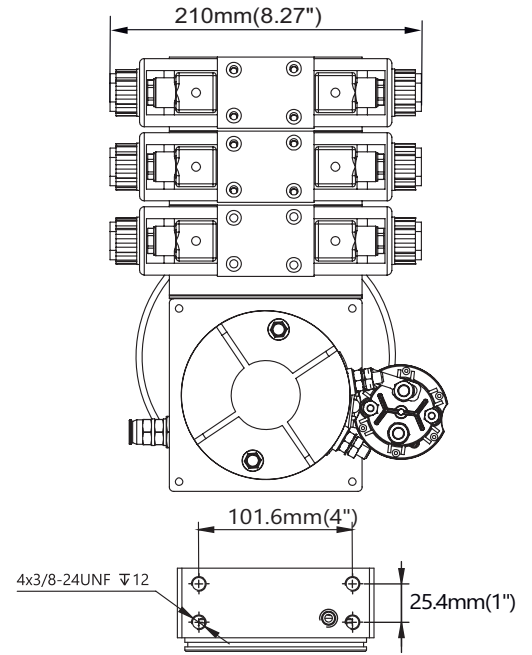
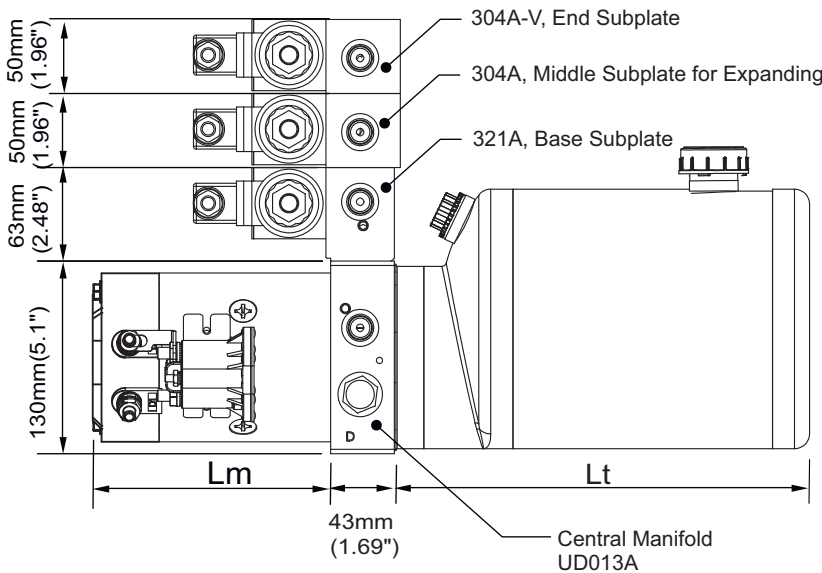
With 4" DC Motor

Outline Dimensions

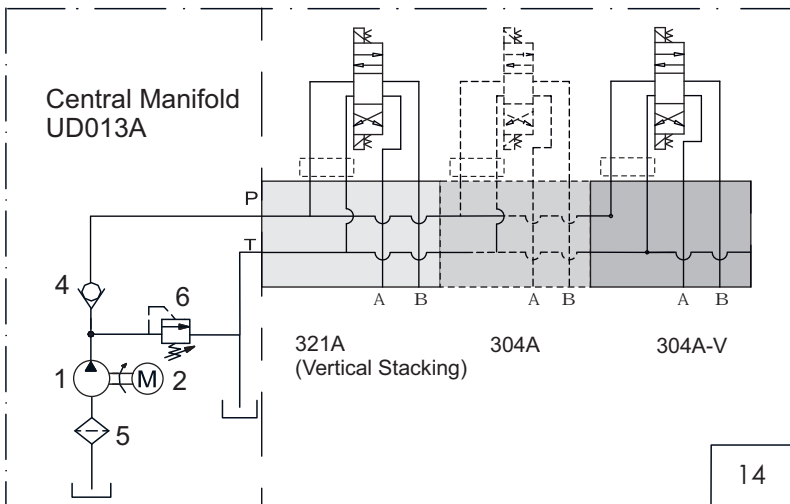
Group 16D/22D/25D/28D

	DP13V14-416	DP13V14-422	DP13V14-425	DP13V14-428
Dim "Lm"	8" (203mm)	8" (203mm)	8.78" (223mm)	9.85" (250mm)
Rated Power	1.6kW (12V)	2.2kW (24V)	2.5kW (12&24V)	2.8kW (24V)

LS type tank showed in following drawings. The dimension "Lt" of LS tank or other optional tanks, please refer to Page N1-1.



Bottom Mounting Hole



Function Type 14 - Double Acting
Expandable Circuit with Cetop3 (D03) Directional Valve

DP13
Series

DC
Hydraulic Power Unit

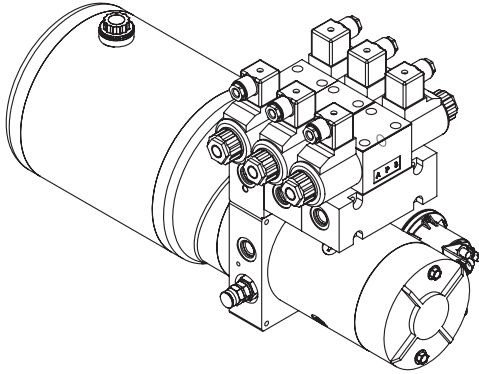
Horizontal Stacking

DP13H14-4

With 4" DC Motor

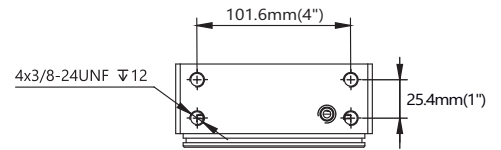
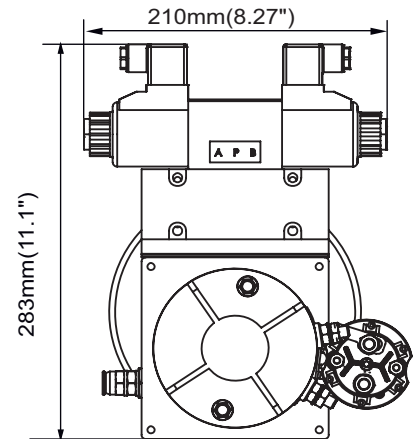
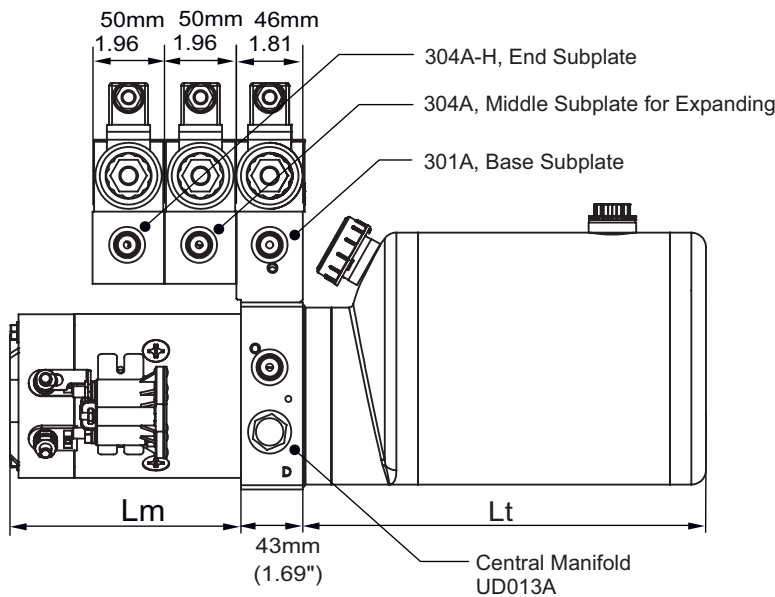
Outline Dimensions

Group 16D/22D/25D/28D

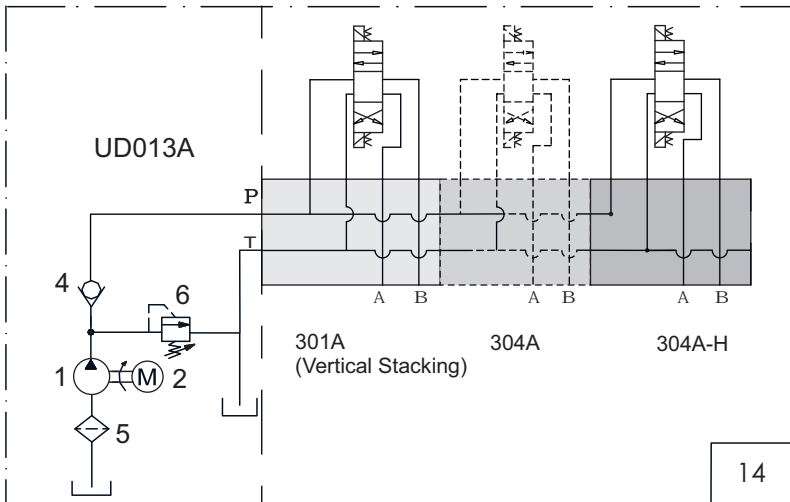


	DP13H14-416	DP13H14-422	DP13H14-425	DP13H14-428
Dim "Lm"	8" (203mm)	8" (203mm)	8.78" (223mm)	9.85" (250mm)
Rated Power	1.6kW (12V)	2.2kW (24V)	2.5kW (12&24V)	2.8kW (24V)

LS type tank showed in following drawings. The dimension "Lt" of LS tank or other optional tanks, please refer to Page N1-1.



Bottom Mounting Hole



Function Type 14 - Double Acting
 Expandable Circuit with Cetop3 (D03) Directional Valve

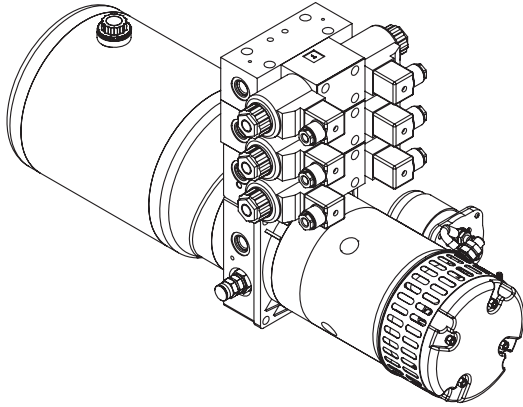
DP13
 Series

DC
 Hydraulic Power Unit

Vertical Stacking

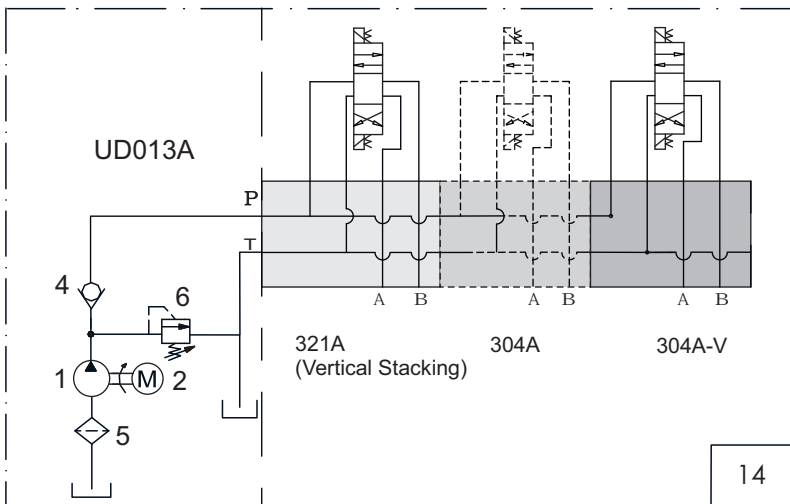
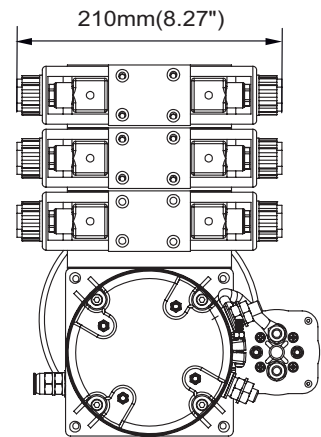
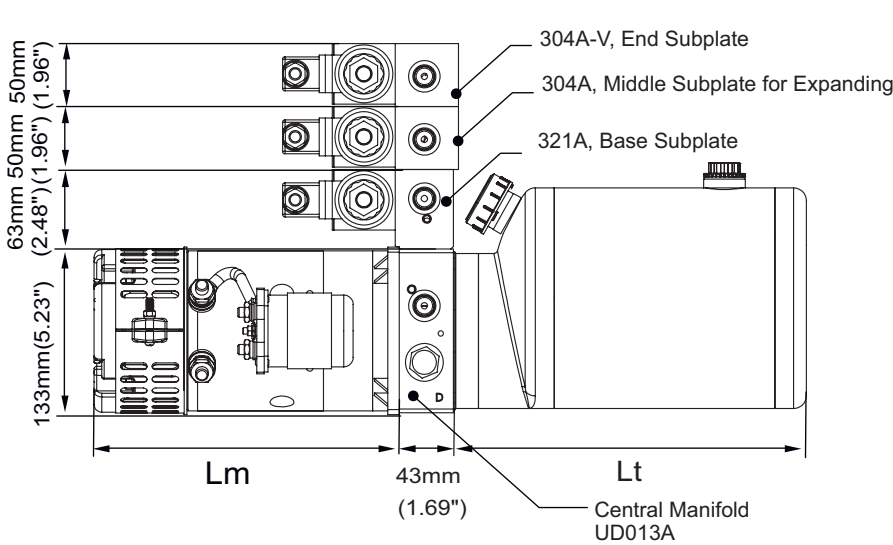
DP13V14-5
 With 5" DC Motor

Outline Dimensions
 Group 30D/40D



	DP13V14-530	DP13V14-540
Dim "Lm"	11.04" (280mm)	13.39" (340mm)
Rated Power	3.0kW, 12V	3.0kW, 24V

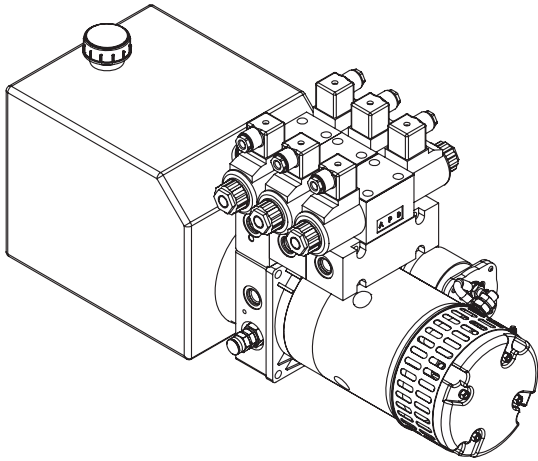
LS type tank showed in following drawings. The dimension "Lt" of LS tank or other optional tanks, please refer to Page N1-1.



Horizontal Stacking

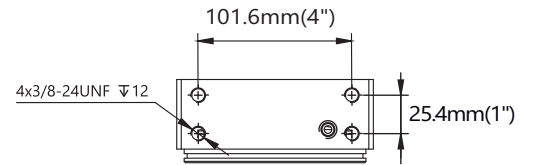
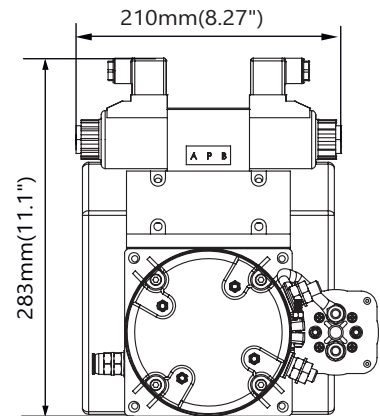
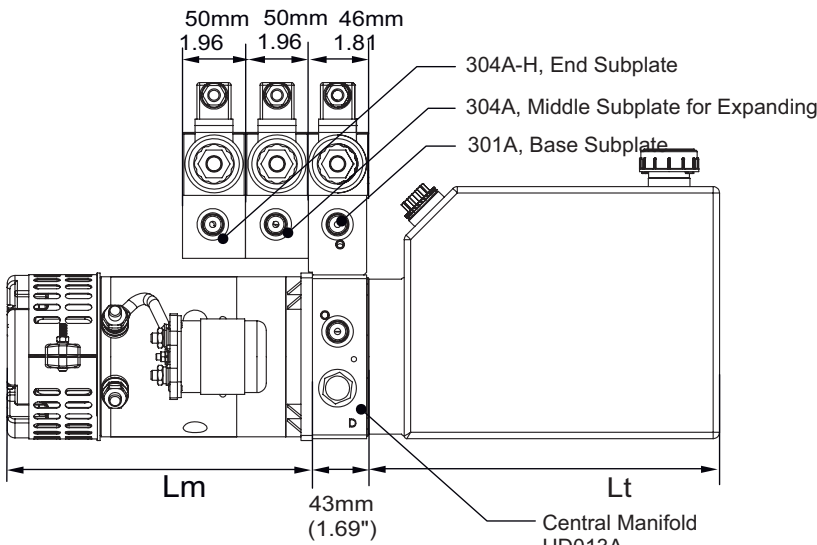
DP13H14-5
 With 5" DC Motor

Outline Dimensions
 Group 30D/40D



	DP13H14-530	DP13H14-540
Dim "Lm"	11.04" (280mm)	13.39" (340mm)
Rated Power	3.0kW, 12V	3.0kW, 24V

LS type tank showed in following drawings. The dimension "Lt" of LS tank or other optional tanks, please refer to Page N1-1.



Bottom Mounting Hole

