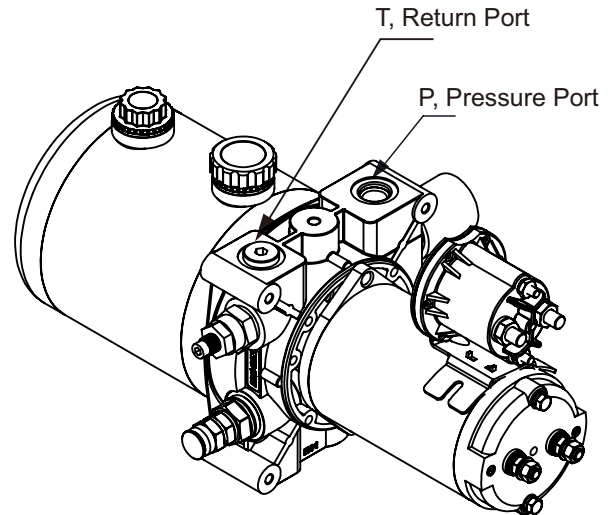


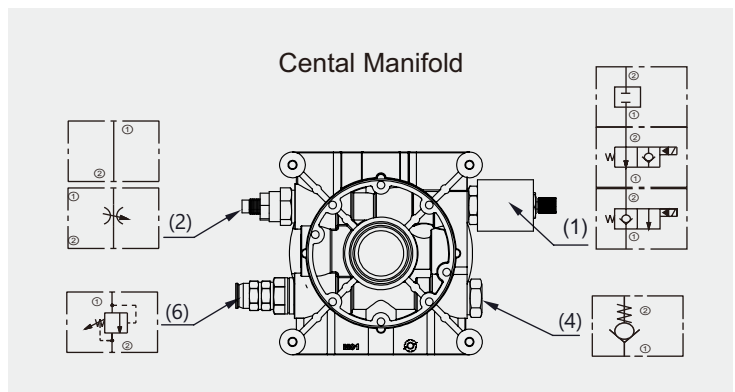
DP13C06-3

Group 01D/03D/05D/08D (150W to 800W)

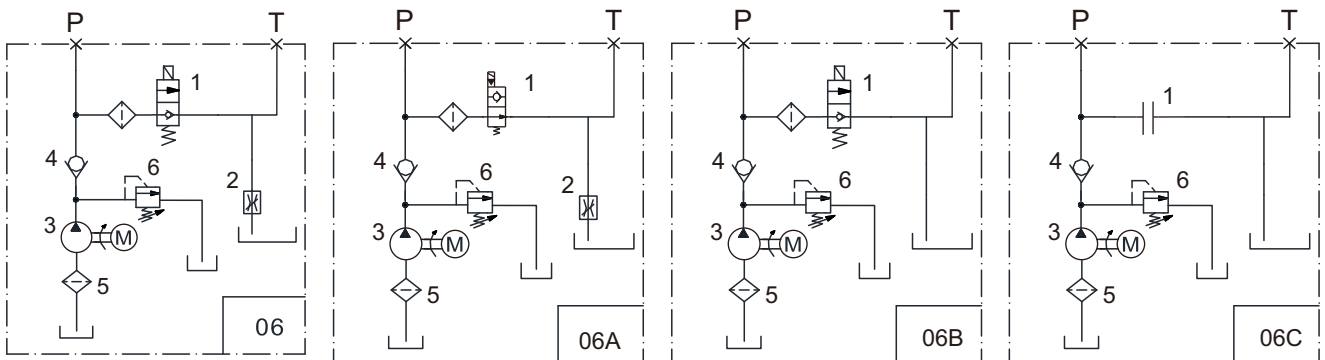
- Driving single acting hydraulic cylinder extending or retracting.
- Choose the appropriate power and pump size according to the load of your application. Please refer to Page A1-1 or consult us.
- Four options for controlling the Return Flow (down speed) by flow control valve (2):
 1. Non-Adjustable.
 2. Non Adjustable, with pressure compensate.
 3. Adjustable, with pressure compensate.
 4. No return flow control
- Three options for 2-way valve(1), more details refer to page DD.
 1. Manual Valve.
 2. Solenoid Valve.
 3. Solenoid Valve with Manual Override
- Duty cycle is generally S2-1 minute, S3 - 15%.
It may be varies with loads , please consult us.



- Port P and T, standard options:
 1. G3/8 (BSPP 3/8")
 2. SAE#6(9/16-18UNF),
 3. M14
 To custom-built other port size, please consult us.
- Optional Tanks:
 - Type MS, and Type LS, RP, LT and MT.
- Controller Options:
 - 1) KCB21, the basic remote control handset.
 - 2) WRB21, economy wireless remote
- Popular Applications:
 - Material Handling forklift, stacker, dumper,
 - dump trailer, Mobile lighthouse...etc.

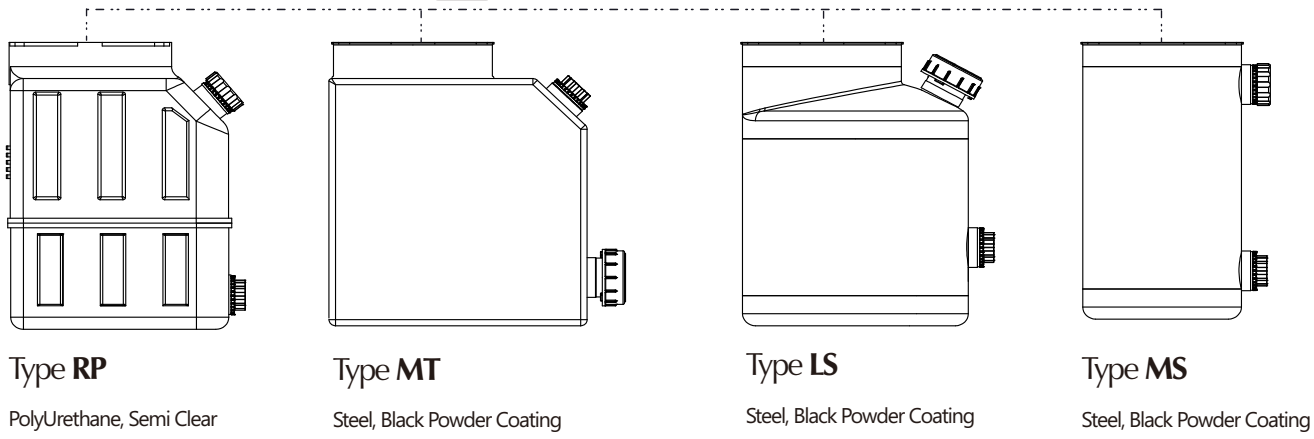
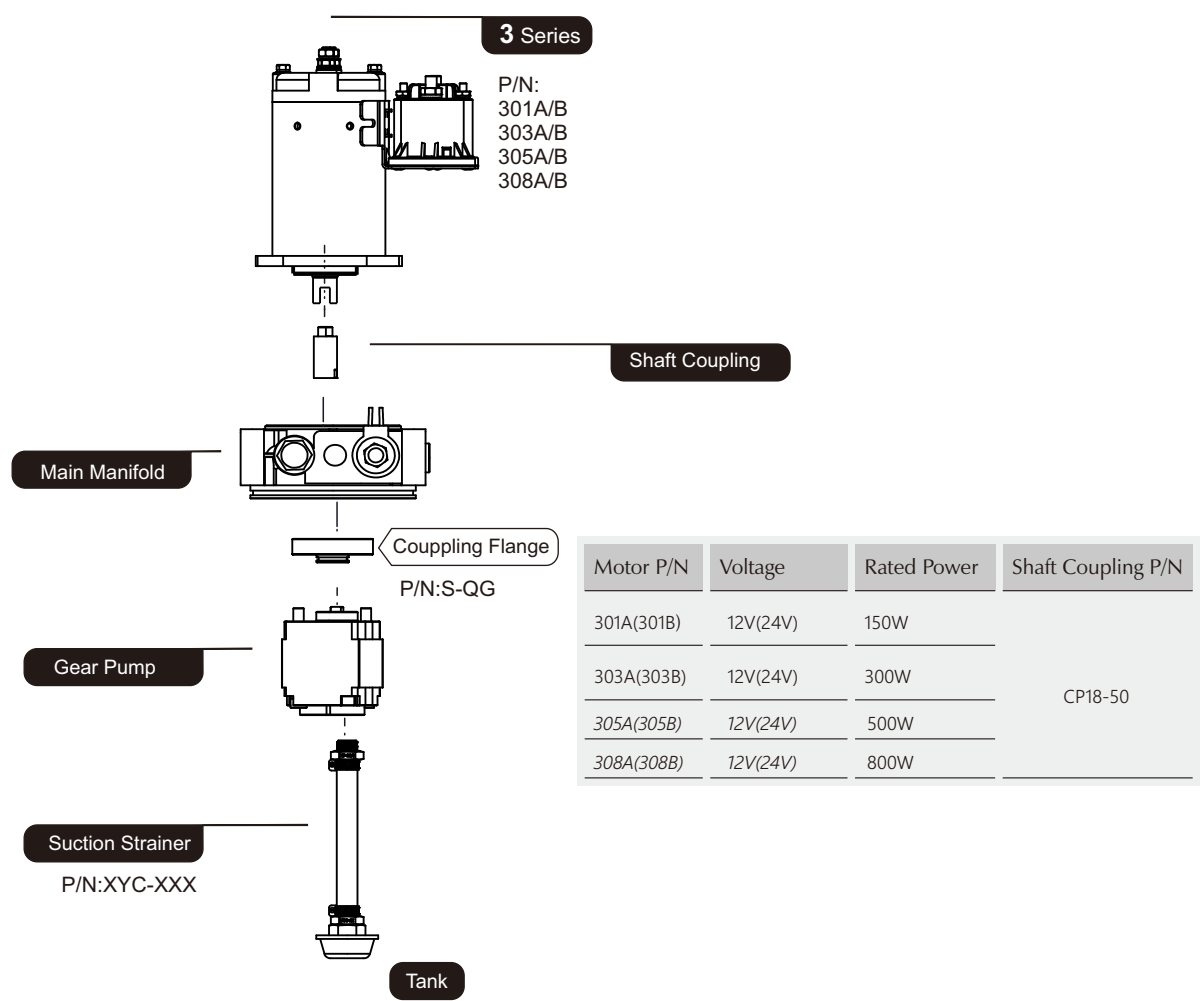


Typical Circuits:



DP13C06

DC Motor :	3" Series
Main Manifold	M01-03NT01 (Die Casting Aluminum Manifold)
Gear Pump	S Series (Details refer to page S-02)
Tank	Type RP, LS, LT, MS, MT, MR (Details refer to page N1)



Function Type 06 - Single Acting

DP13 Series

DC Hydraulic Power Unit

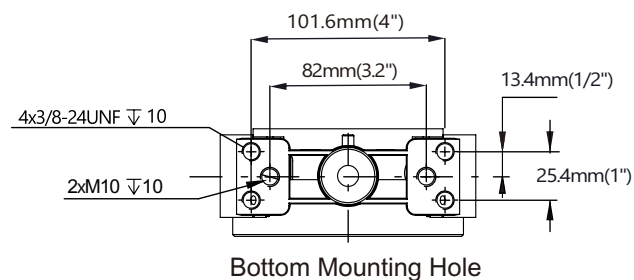
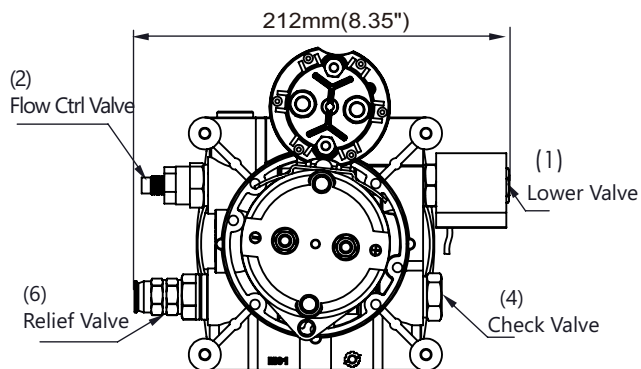
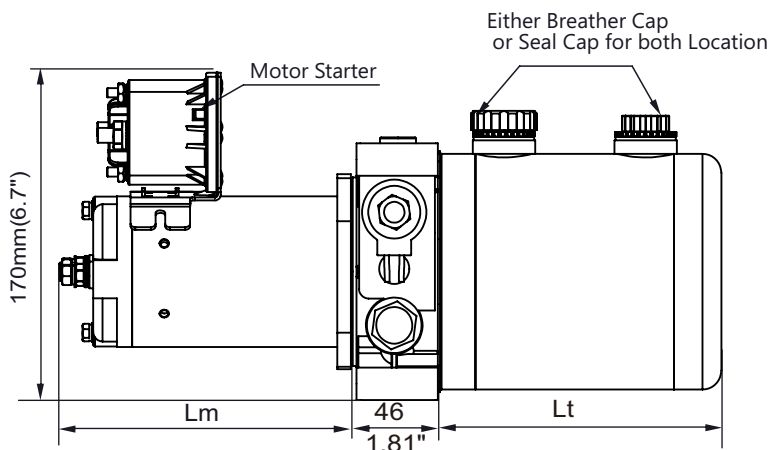
DP13C06-3 with 3" DC Motor

	Motor P/N	Voltage	Rated Power	Dim "Lm"	Shaft Coupling
DP13M06-301	301A(301B)	12V(24V)	150W	4.25"(108mm)	CP18-50
DP13M06-303	303A(303B)	12V(24V)	350W	5.39" (137mm)	
DP13M06-305	305A (305B)	12V (24V)	500W	5.39" (137mm)	
DP13M06-308	308A (308B)	12V (24V)	800W	5.39" (137mm)	



Configuration

DC Motor :	3 Series (150w-800w)
Main Manifold:	M01-03NT01 (Die Casting Aluminum Manifold)
Gear Pump:	S Series (Details refer to page S02)
Tank:	Type MS (Details refer to page N1)



* Optional Tanks: Type LS, RP, LT and MT

Tank Size

P/N	MS1	MS2	MS3	MS4	MS5	MS6	MS7	MS8
Lt	5.9" 150mm	7.9" 200mm	9.84" 250mm	11.3/4" 300mm	133/4" 350mm	15 3/4" 400mm	213/4" 450mm	21.65" 550mm
Volume	1.0Qt 1L	1.5Qt 1.4L	2.0Qt. 1.8L	2.5Qt. 2.4L	3.0Qt. 2.8L	3.5Qt 3.3L	4.0Qt. 3.8L	5.0Qt. 4.75L

Chart of Flow Rated vs. Pressure

DP13
Series

DC
Hydraulic Power Unit

Group 01D, 03D, 05D and 08D

*Grouped by Motor Rated Power

Group 01D - Rated Power 150W (DC12V and 24V)

Pump Displacement	0.19cc	0.26cc	0.38cc	0.50cc
<i>Rated Pressure</i>	22MPa(3200PSI)	20MPa(2900PSI)	14MPa (2000PSI)	10MPa(1450PSI)
<i>Flow Rate @ Rated Pressure</i>	0.3LPM(0.08GPM)	0.47LPM(0.12GPM)	0.68LPM(0.18GPM)	0.9LPM(0.23GPM)
<i>Max Pressure</i>	25MPa(3600PSI)	25MPa(3600PSI)	18MPa(2600PSI)	13MPa(1900PSI)
<i>Flow Rate @ Max. Pressure</i>	0.15LPM(0.04GPM)	0.23LPM(0.06GPM)	0.4LPM(0.1GPM)	0.54LPM(0.14GPM)

Group 03D - Rated Power 350kW (DC12V and 24V)

Pump Displacement	0.38cc	0.5cc	0.65cc	0.75cc
<i>Rated Pressure</i>	22MPa(3200PSI)	16MPa (2300PSI)	13MPa(1900PSI)	11MPa(1600PSI)
<i>Flow Rate @ Rated Pressure</i>	0.68LPM(0.18GPM)	0.9LPM(0.23GPM)	1.1LPM(0.29GPM)	1.2LPM(0.31GPM)
<i>Max Pressure</i>	25MPa(3600PSI)	19MPa(2800PSI)	16MPa(2300PSI)	15MPa(2200PSI)
<i>Flow Rate @ Max. Pressure</i>	0.34LPM(0.09GPM)	0.5LPM(0.13GPM)	0.7LPM(0.18GPM)	0.8LPM(0.21GPM)

Group 05D - Rated Power 500W (DC12V and 24V)

Pump Displacement	0.5cc	0.65cc	0.75cc	0.88cc
<i>Rated Pressure</i>	22MPa(3200PSI)	18MPa (2600PSI)	15MPa (2200PSI)	12MPa (1700PSI)
<i>Flow Rate @ Rated Pressure</i>	1LPM(0.26GPM)	1.3LPM (0.34GPM)	1.5LPM (0.4GPM)	2LPM (0.52GPM)
<i>Max Pressure</i>	25MPa(3600PSI)	20MPa (2900PSI)	17MPa (2500PSI)	15MPa (2200PSI)
<i>Flow Rate @ Max. Pressure</i>	0.5LPM(0.13GPM)	0.9LPM (0.23GPM)	1.2LPM (0.31GPM)	1.6LPM (0.42GPM)

Group 08D - Rated Power 800W (DC12V and 24V)

Pump Displacement	0.65cc	0.88cc	1.0cc	1.25cc
<i>Rated Pressure</i>	20MPa (2900PSI)	13MPa (1900PSI)	11MPa (1600PSI)	9MPa (1300PSI)
<i>Flow Rate @ Rated Pressure</i>	1.6LPM (0.42GPM)	2.5LPM (0.66GPM)	2.6LPM (0.68GPM)	3.2LPM (0.84LPM)
<i>Max Pressure</i>	22MPa (3200PSI)	16MPa (2300PSI)	14MPa (2000PSI)	11MPa (1600PSI)
<i>Flow Rate @ Max. Pressure</i>	1.1LPM (0.29GPM)	2.2LPM (0.58GPM)	2LPM (0.52GPM)	2.6LPM (0.68GPM)