

Function 06 – Single Acting

EHA
Series

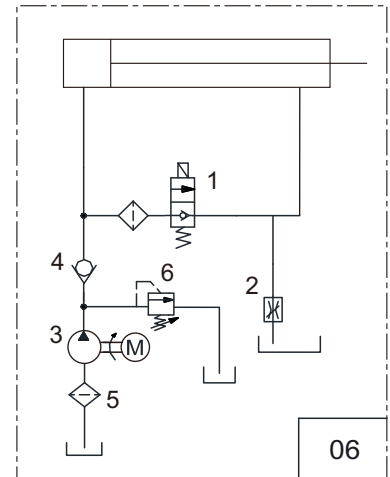
DC Compact
Electro-Hydraulic Actuator

EHA06

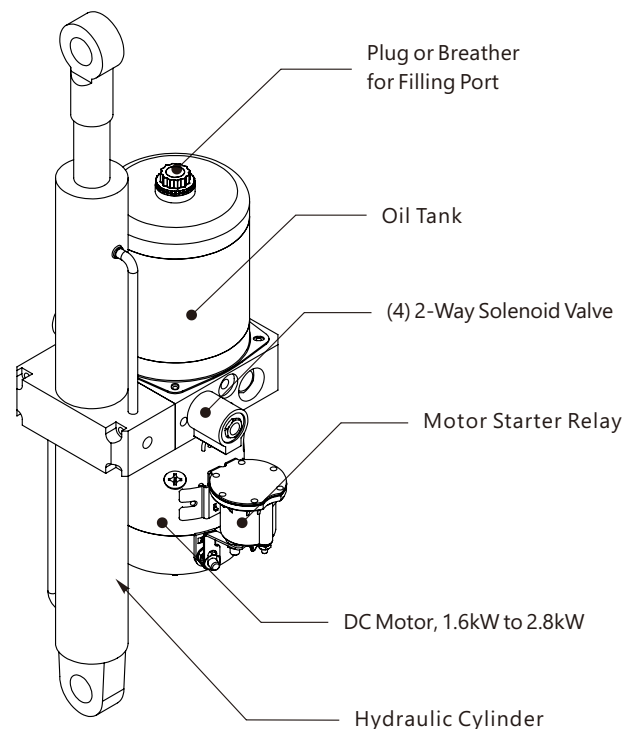
Group 16D/22D/25D/28D

Combined the power unit and cylinder, for extending and retracting.

- Variety motor power delivered different pressure and flow rate.
- Optional Flow Control Valve (3).
Return flow at cylinder retracting can be restricted by an optional flow control valve (3) with reverse flow check. The orifice in this valve could be specified according to customer's specification.
- 2-way Solenoid Valve (1).
You have two option on this 2-way solenoid valve :
1. No Manual Override (Default).
2. With Manual Override.
- Standard Duty Cycle is S1=1 minute, S2 15%.
Please consult us for Longer duty cycle.
- Variety of tank size from 1L to 3L.
- Optional Controller:
1. KCB22 series remote Handset.
2. WRB22 wireless remote.



- (1) EHA Series - DC Electro-Hydraulic Actuator
- (2) Function Type (Hydraulic Circuit) : 21 - Double Acting Circuit,
06 - Single Acting Circuit
- (3) Voltage : A-DC12V, B-DC24V
- (4) Rated Power of DC Motor : 16 - 1.6kW, 22 - 2.2kW,
25 - 2.5kW, 28 - 2.8kW
- (5) Cylinder Type : S - Single Stage,
T - Two Stage,
D - Double Rod
- (6) Cylinder Bore : 50 - 50mm.
- (7) Stroke : 800 - 800mm
- (8) Design Number, specified by Mocen.



Function 21 - Double Acting

EHA
Series

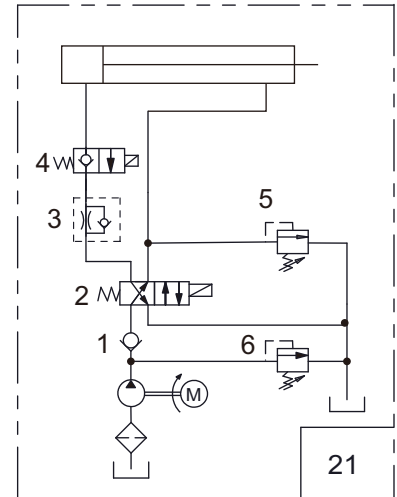
DC Compact
Electro-Hydraulic Actuator

EHA21

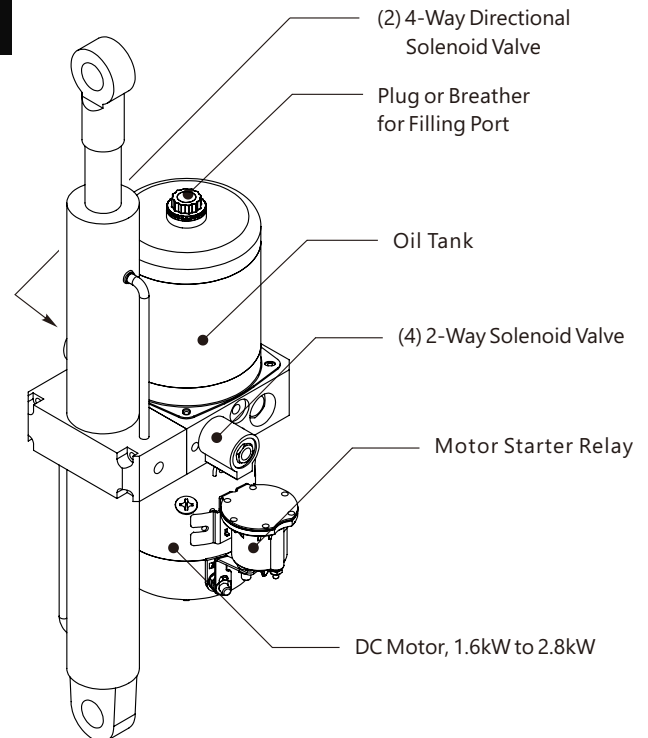
Group 16D/22D/25D/28D

Combined the power unit and cylinder, for extending and retracting.

- Variety motor power delivered different pressure and flow rate.
- Optional Flow Control Valve (3).
Return flow at cylinder retracting can be restricted by an optional flow control valve (3) with reverse flow check. The orifice in this valve could be specified according to customer's specification.
- 2-way Solenoid Valve (4).
You have two options on this 2-way solenoid valve:
1. No Manual Override (Default).
2. With Manual Override.
- Standard Duty Cycle is S1=1 minute, S2 15%.
Please consult us for Longer duty cycle.
- Variety of tank size from 1L to 3L.
- Optional Controller:
1. KCB22 series remote Handset.
2. WRB22 wireless remote.



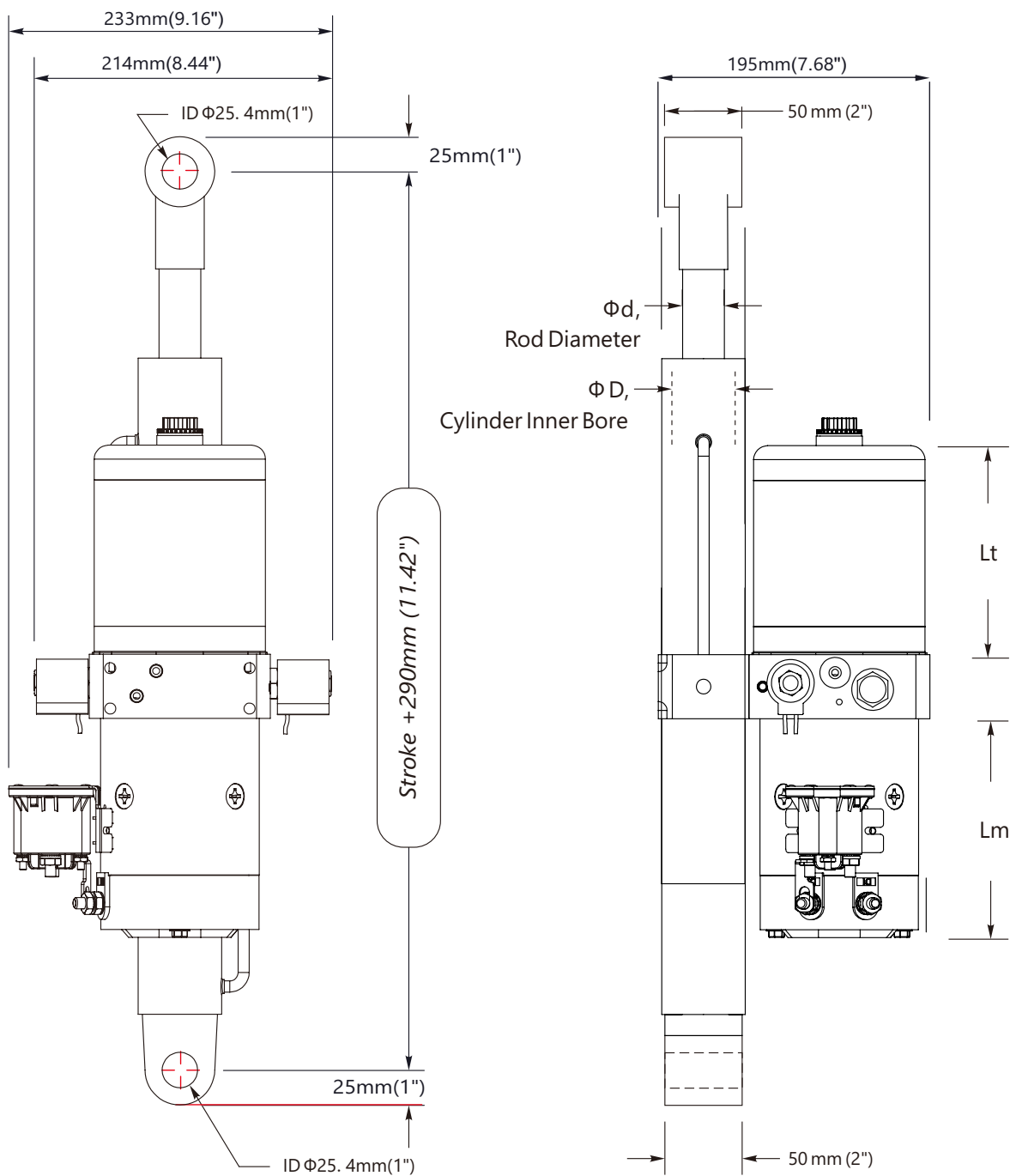
- (1) EHA Series - DC Electro-Hydraulic Actuator
- (2) Function Type (Hydraulic Circuit) : 21 - Double Acting Circuit,
06 - Single Acting Circuit
- (3) Voltage : A-DC12V, B-DC24V
- (4) Rated Power of DC Motor : 16 - 1.6kW, 22 - 2.2kW,
25 - 2.5kW, 28 - 2.8kW
- (5) Cylinder Type : S - Single Stage,
T - Two Stage,
D - Double Rod
- (6) Cylinder Bore : 50 - 50mm.
- (7) Stroke : 800 - 800mm ...
- (8) Design Number, specified by Mocen.



EHA06, Single Acting
EHA21, Double Acting

Group 16D/22D/25D/28D

	EHA21(EHA06)-A16	EHA21(EHA06)-B22	EHA21(EHA06)-A(B)25	EHA21(EHA06)-B28
Rated Power	1.6kW (12V)	2.2kW, (24V)	2.5kW, (12&24V)	2.8kW, (24V)
Dim "Lm"	8" (203mm)	8" (203mm)	8.78" (223mm)	9.85" (250mm)



EHA06, Single Acting

EHA21, Double Acting

Key Performance Data

Cylinder Bore "D" 50mm(2")

Rod Diameter "d" 30mm(1.18")

EHA06, EHA21	-A16S50, -B22S50		-A25S50, -B25S50		-B28S50	
Rated Power	1.6kW(12V) 2.2kW(24V)		2,5kW (12V)		2.8kW (24V)	
Pump Displacement	1.6cc	2.1cc	2.1cc	2.7cc	2.7cc	3.2cc
Rated Push Force	6613lbf (3000kg)	7300lbs (3300kg)	8400lbs (3800kg)	6613lbf (3000kg)	6613lbs (3000kgf)	5100lbs (2300kgf)
Rated Speed	32mm/s 1.25"/s	40mm/s 1.57"/s	33mm/s 1.3"/s	42mm/s 1.65"/s	70mm/s 2.75"/s	85mm/s 3.34"/s
Peak Push Force	9000lbf (4100kgf)	9000lbs (4100kgf)	11000lbs (5000kgf)	8400lbs (3800kgf)	10000lbs (4500kgf)	8400lbs (3800kgf)

Cylinder Bore "D" 63mm(2.5")

Rod Diameter "d" 40mm(1.57")

EHA06, EHA21	-A16S63, -B22S63		-A25S63, -B25S63		-B28S63	
Rated Power	1.6kW(12V), 2.2kW(24V)		2,5kW(12V)		2.8kW(24V)	
Pump Displacement	1.6cc	2.1cc	2.1cc	2.7cc	2.7cc	3.2cc
Rated Push Force	10100lbf (4600kgf)	11700lbs (5300kgf)	14000lbs (6300kgf)	10000lbs (4500kgf)	10000lbs (4500kgf)	9000lbs (4100kgf)
Rated Speed	20mm/s 0.79"/s	26mm/s 1.02"/s	21mm/s 0.82"/s	28mm/s 1.10"/s	42mm/s 1.65"/s	55mm/s 2.16"/s
Peak Push Force	15000lbf (6800kgf)	14000lbs (6300kgf)	17600lbs (8000kgf)	14000lbs (6300kgf)	15500lbs (7000kgf)	14000lbs (6300kgf)

DC Electro-Hydraulic Actuator

Function 31 - Double Acting, Birotation

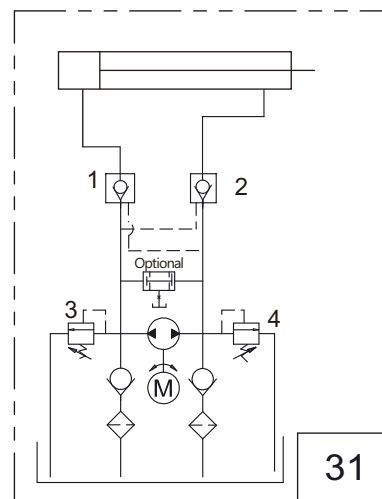
EHB
Series

DC Compact
Electro-Hydraulic Actuator

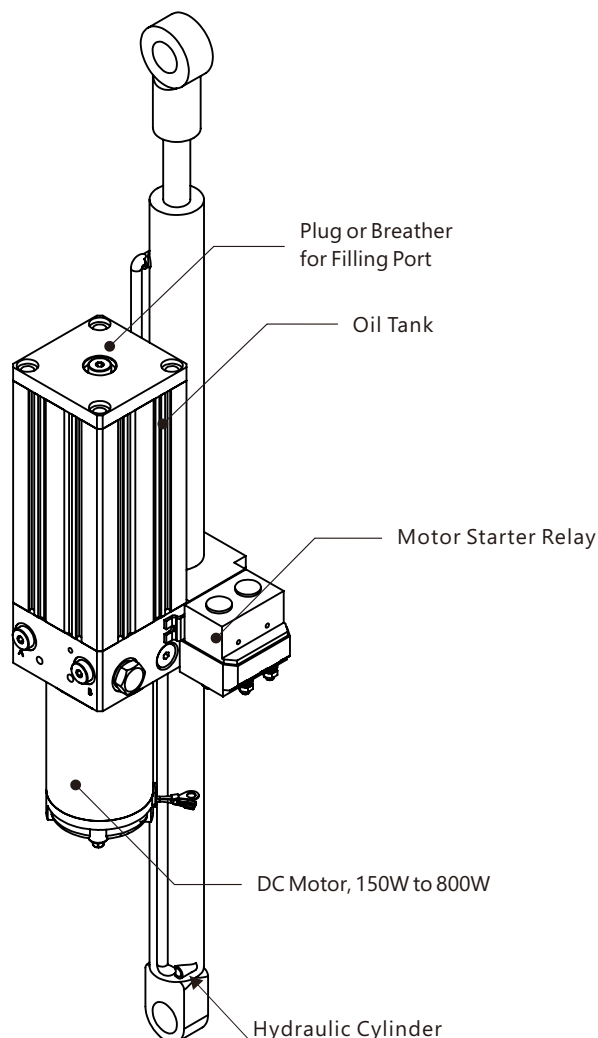
EHB31

Group 01D/03D/05D/08D

- Bi-rotation Circuit Driving double acting hydraulic cylinder extending and retracting.
- Choose the appropriate power and pump size, according to the load of your application. Please refer to Page A-01 or consult us.
- Duty cycle is generally S2-1 minute, S3 - 15%. It may be varies with loads , please consult us. To custom-built other port size, please consult us.
- Controller Options:
 - 1) KCB22, the basic remote control handset.
 - 2) WRB22, economy wireless remote



- (1) EHB Series - DC Electro-Hydraulic Actuator
- (2) Function Type (Hydraulic Circuit) : 31 - Double Acting Bi-rotation Circuit,
- (3) Voltage : A-DC12V, B-DC24V
- (4) Rated Power of DC Motor : 01- 150W, 03 - 300W, 05- 500W, 08- 800W
- (5) Cylinder Type : S - Single Stage, T - Two Stage, D - Double Rod
- (6) Cylinder Bore : 50 - 50mm.
- (7) Stroke : 800 - 800mm
- (8) Design Number, specified by Mocen.



Function 31 - Double Acting, Birotation

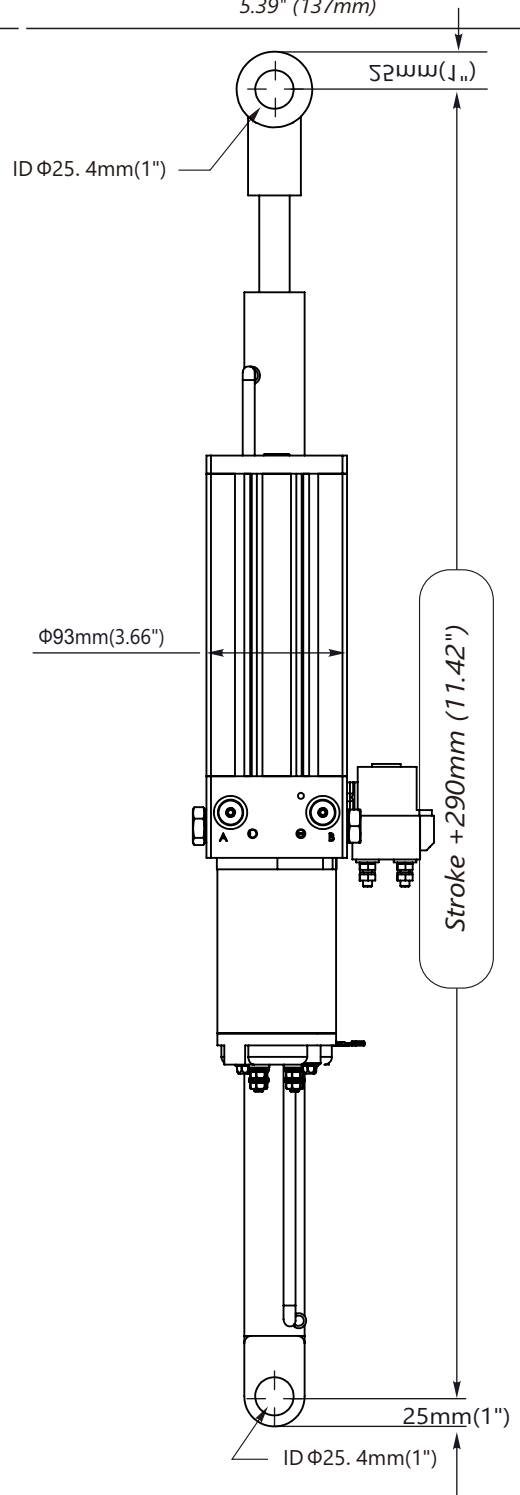
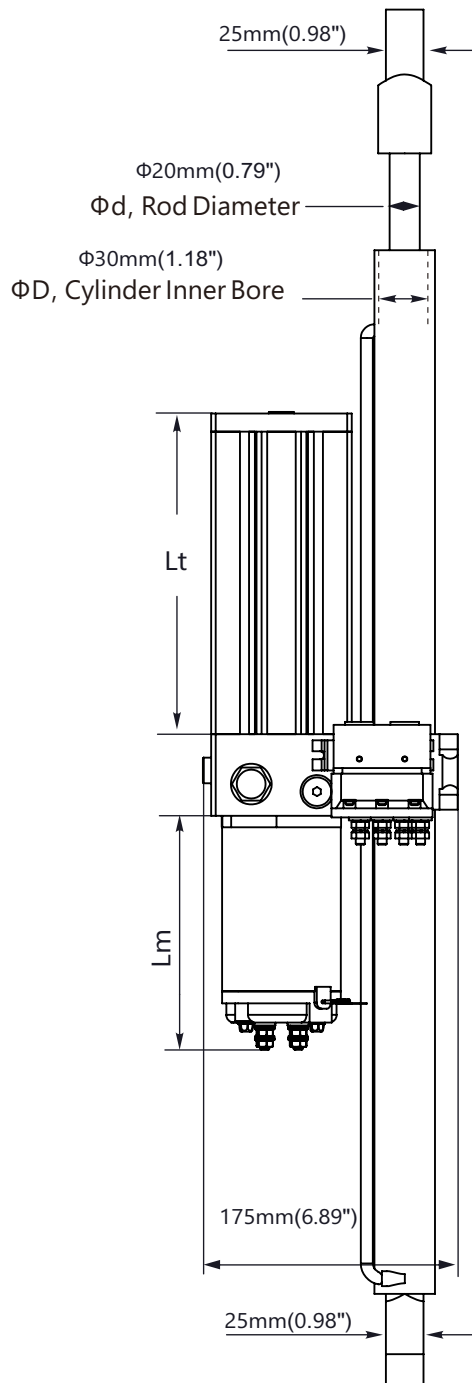
EHB Series

Compact Electro-Hydraulic Actuator

EHB31

Group 01D/03D/05D/08D

	EHB31-01	EHB31-03	EHB31-05	EHB31-08
Rated Power	150W(12&24V)	300W (12&24V)	500W (12&24V)	800W (12&24V)
Dim "Lm"	4.25"(108mm)	5.39" (137mm)		



Function 31 - Double Acting, Birotation

EHB
Series

Compact
Electro-Hydraulic Actuator

EHB31

Group 01D/03D/05D/08D

Key Performance Data

Cylinder Bore "D" 30mm(1.18")

Rod Diameter "d" 20mm(0.79")

EHB31	-A01T30, -B01T30		-A03T30, -B03T30		-A05T30, -B05T30		-A08T30, -B08T30	
Rated Power	150W(12V&24V)		300W(12V&24V)		500W(12V&24V)		800W(12V&24V)	
Pump Displacement	0.26cc	0.38cc	0.38cc	0.50cc	0.5cc	0.65cc	0.65cc	0.88cc
Rated Push Force	2600lbf (1200kgf)	1800lbs (800kgf)	2900lbs (1300kgf)	2200lbs (1000kgf)	2900lbs (1300kgf)	2200lbs (1000kgf)	2600lbs (1200kgf)	1760lbs (800kgf)
Rated Speed	11mm/s 0.43"/s	16mm/s 0.63"/s	16mm/s 0.63"/s	21mm/s 0.82"/s	23mm/s 0.90"/s	30mm/s 1.18"/s	38mm/s 1.50"/s	55mm/s 2.16"/s
Peak Push Force	3300lbf (1500kgf)	2600lbs (1200kgf)	3300lbs (1500kgf)	2600lbs (1200kgf)	3300lbs (1500kgf)	2600lbs (1200kgf)	2900lbs (1300kgf)	2200lbs (1000kgf)

Cylinder Bore "D" 40mm(1.57")

Rod Diameter "d" 25mm(0.98")

EHB31	-A01T40, -B01T40		-A03T40, -B03T40		-A05T40, -B05T40		-A08T40, -B08T40	
Rated Power	150W(12V&24V)		300W(12V&24V)		500W(12V&24V)		800W(12V&24V)	
Pump Displacement	0.26cc	0.38cc	0.38cc	0.50cc	0.5cc	0.65cc	0.65cc	0.88cc
Rated Push Force	5500lbf (2500kgf)	5100lbs (2300kgf)	5500lbs (2500kgf)	4000lbs (1800kgf)	5500lbs (2500kgf)	4400lbs (2000kgf)	5100lbs (2300kgf)	3100lbs (1400kgf)
Rated Speed	4mm/s 0.16"/s	6mm/s 0.24"/s	9mm/s 0.35"/s	12mm/s 0.47"/s	14mm/s 0.55"/s	18mm/s 0.70"/s	21mm/s 0.82"/s	34mm/s 1.33"/s
Peak Push Force	6600lbf (3000kgf)	5500lbs (2500kgf)	6600lbs (3000kgf)	4600lbs (2100kgf)	6600lbs (3000kgf)	4600lbs (2100kgf)	5500lbs (2500kgf)	4000lbs (1800kgf)